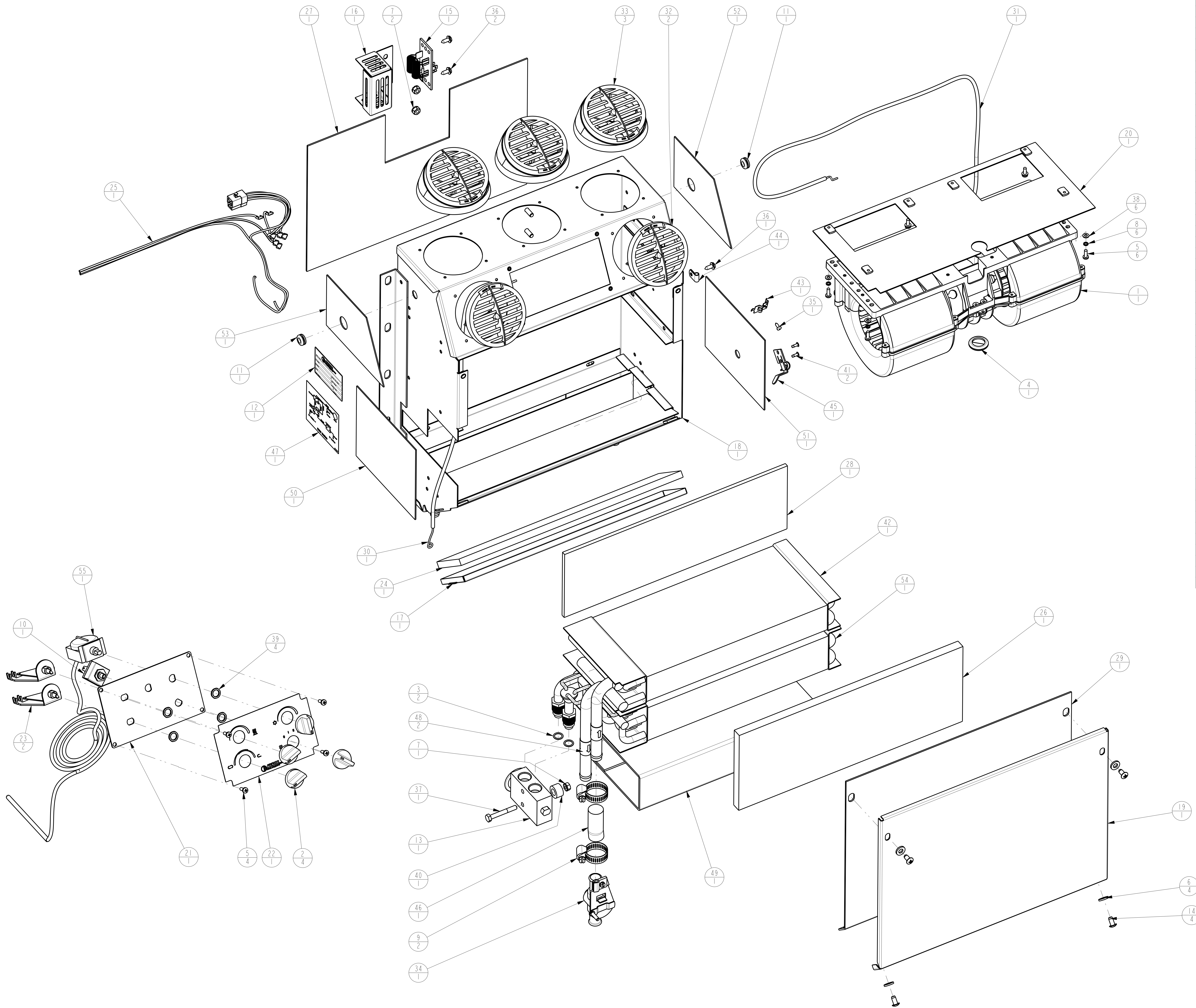




KK-550
Kombo 12V
3380009 / 1000257830
JANUARY 11, 2012

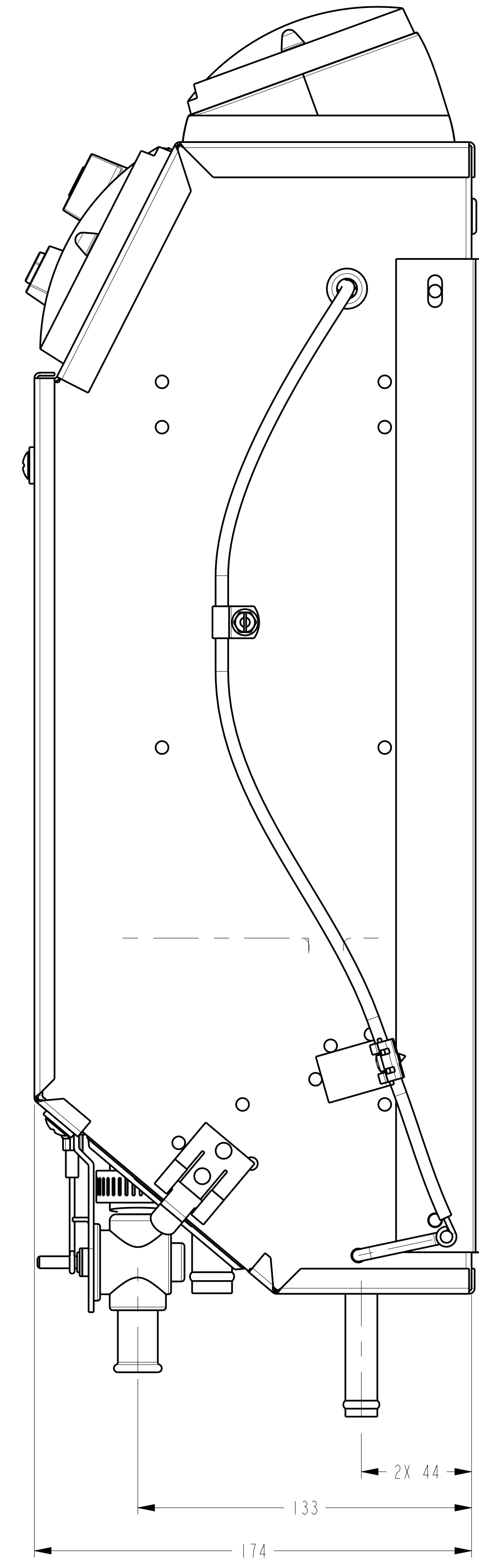
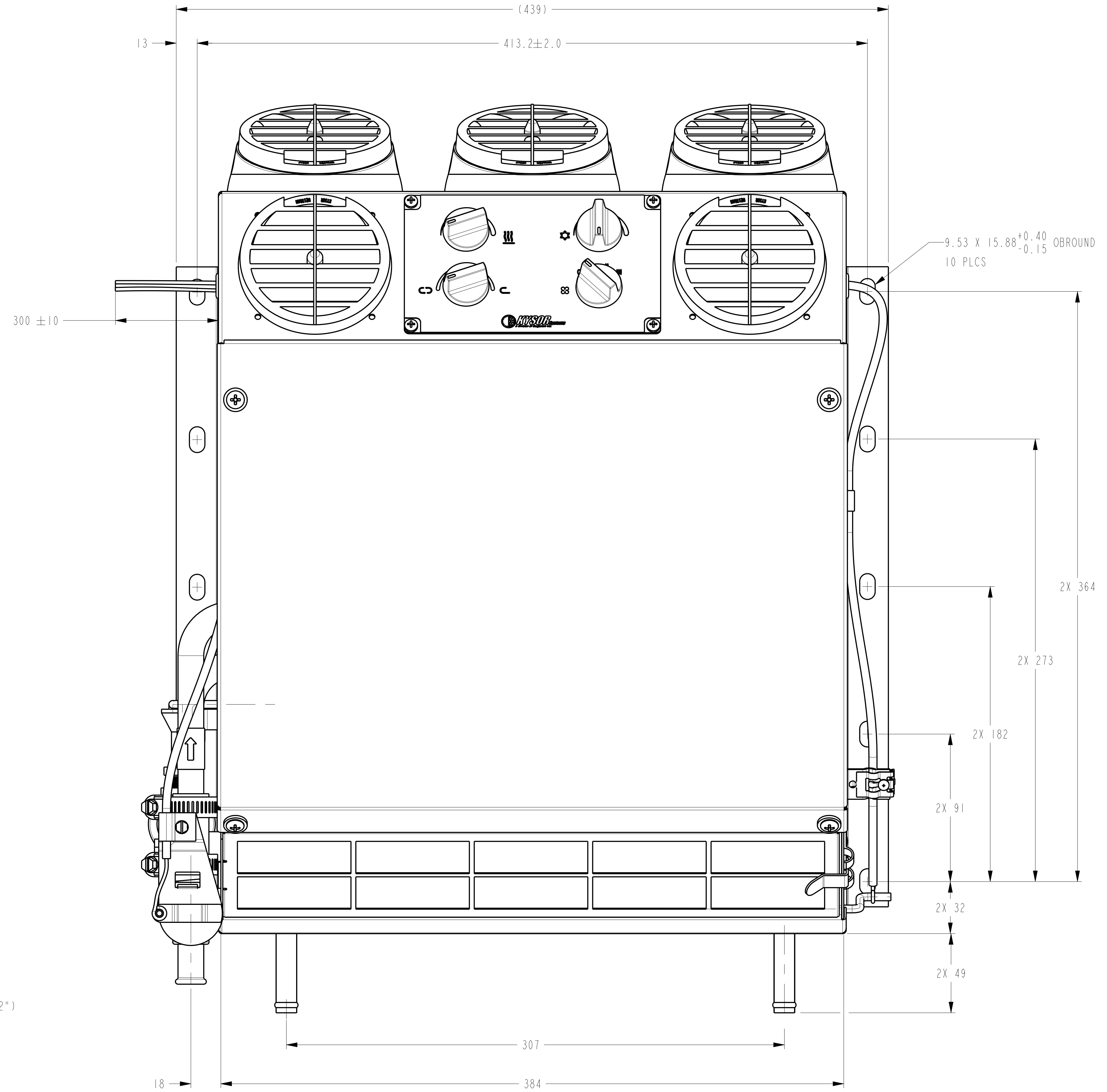
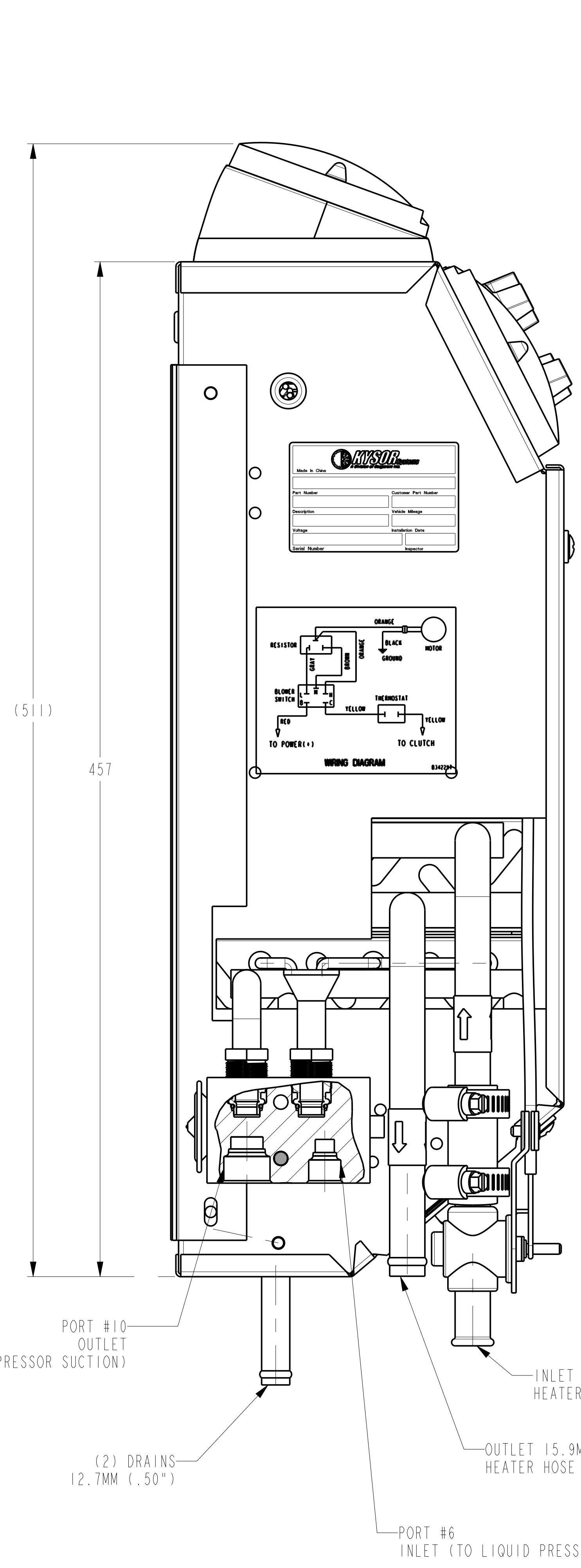
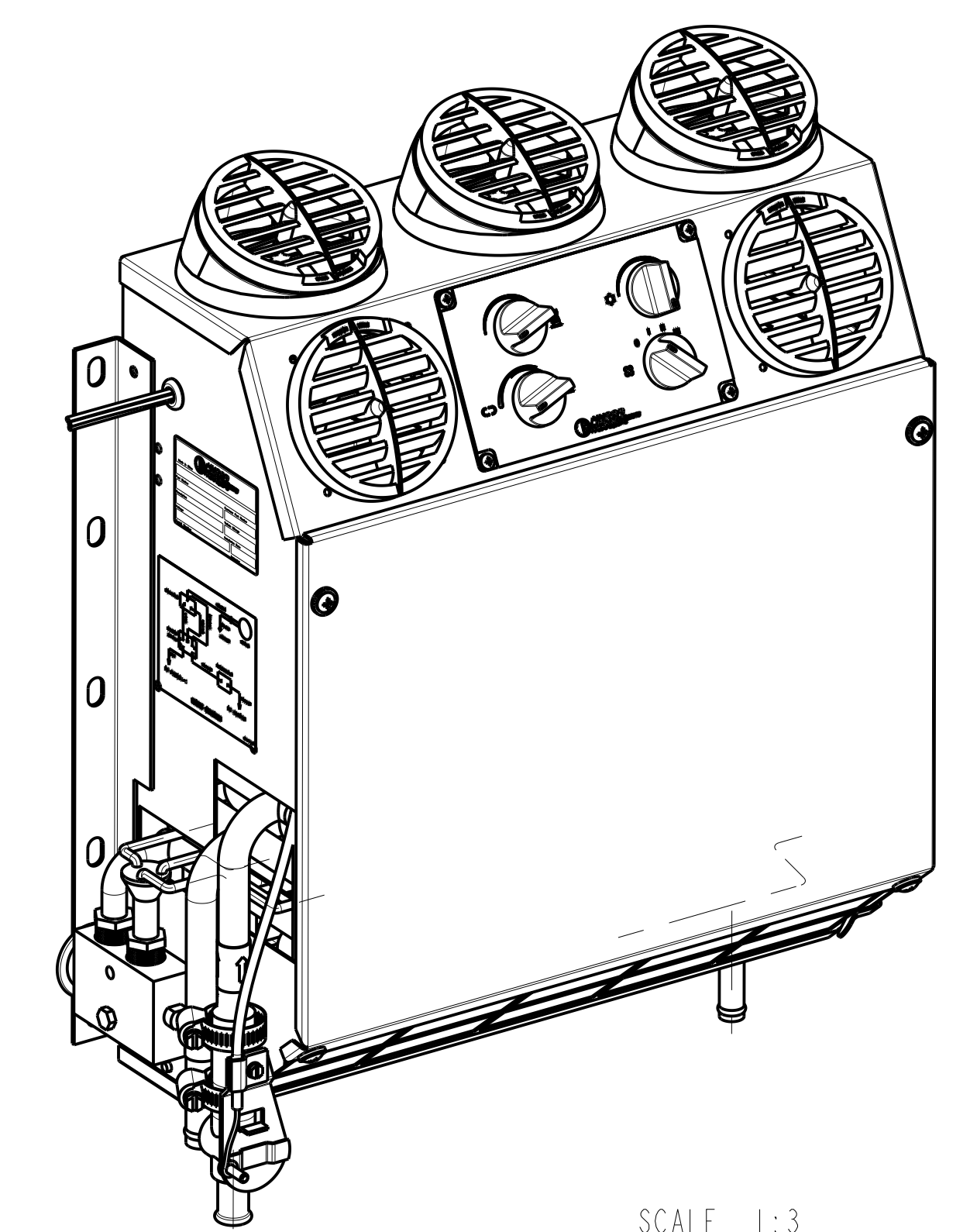
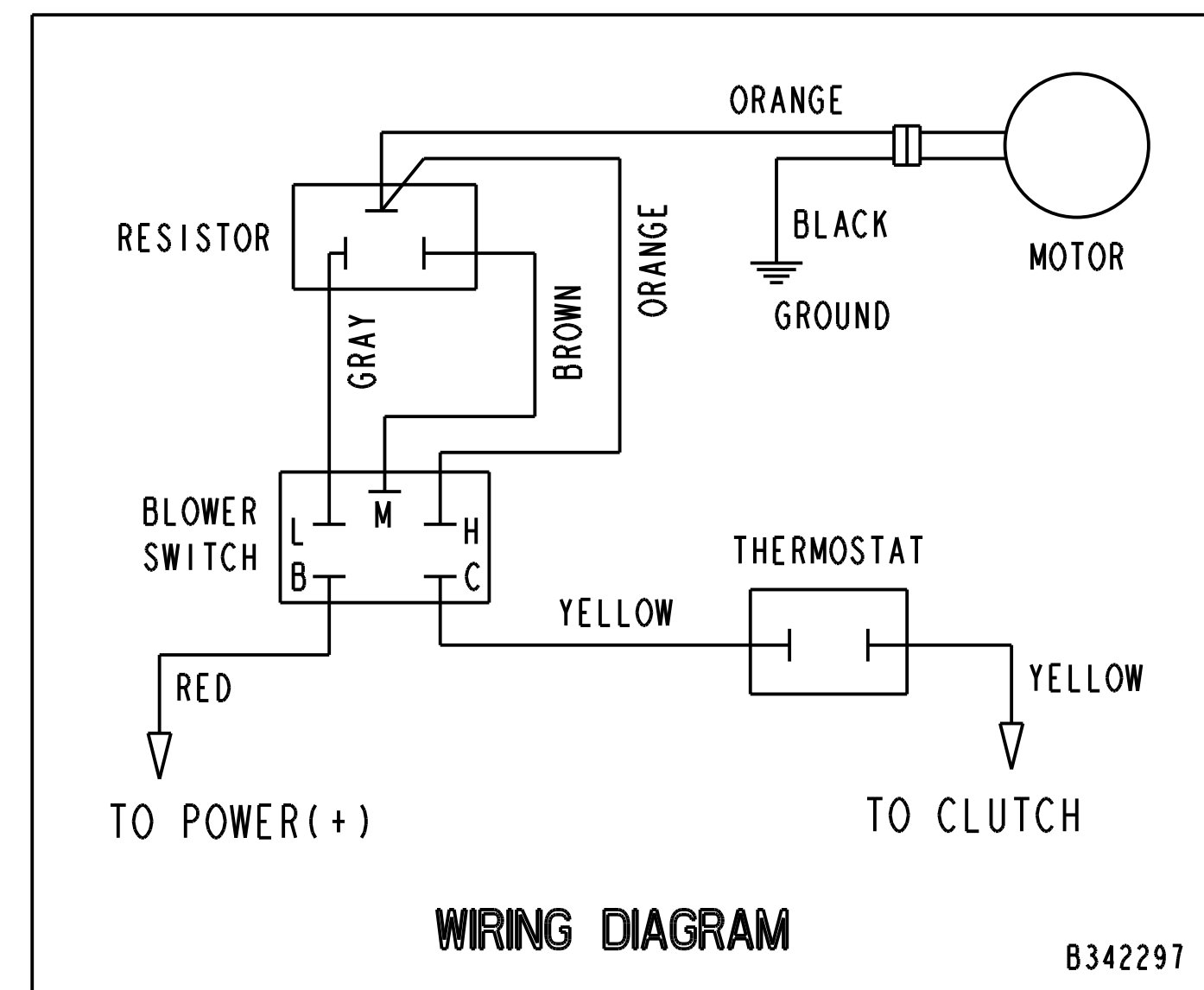


ENGINEERING BILL OF MATERIAL						
SERVICE	PARTS	ITEM	QTY	U/M	PART NUMBER	DESCRIPTION
SP		1	1	EA	519703	ASSY ASSEMBLY BLOWER 12V
SP		2	4	EA	525588	PART KNOB HTR. - A/C CONTROL
		3	2	EA	564700	PART O-RING O-Ring, #8 HNBR (GREEN)
		4	1	EA	572360	PART GROMMET
		5	10	EA	600147	PART SCREW M4 X 12mm PHILLIPS HEAD
		6	4	EA	605006	PART WASHER M6 HARDENED FLAT
		7	3	EA	614806	PART NUT KEPS, M6X1.0
		8	6	EA	620230	PART WSHR NO 8 SPLIT RING
SP		9	2	EA	630020	PART HOSE CLAMP
		10	1	EA	650657	PART SWITCH BLOWER
		11	2	EA	1000289917	PART GROMMET 3/8 ID 3K8785
		12	1	EA	1000292968	PART DECAL KYSOR I.D.
SP		13	1	EA	1000300919	PART VALVE EXP. (BLOCK)
		14	4	EA	1000303011	PART SCREW M6X1.0 12MM
SP		15	1	EA	1000303268	PART RESISTOR 12V W2 152C FUSE
		16	1	EA	1000315401	PART BRACKET RESISTOR
		17	1	EA	1000341268	PART PLATE FILTER RETAINER
		18	1	EA	1000341695	ASM CASE WELDMENT
		19	1	EA	1000341696	PART PLATE CASE COVER
		20	1	EA	1000341936	ASSY WELDMENT BLOWER MOUNTING
		21	1	EA	1000342454	PART PLATE CONTROL
		22	1	EA	1000342482	PART DECAL CONTROL
		23	2	EA	1000343373	PART CONTROL CABLE
SP		24	1	EA	1000343377	PART FILTER RECIRCULATION
		25	1	EA	1000344094	ASSY HARNESS WIRE
		26	1	EA	1000346291	PART GASKET COIL
		27	1	EA	1000346292	PART GASKET BACK
		28	1	EA	1000346293	PART GASKET COIL BOTTOM
		29	1	EA	1000346296	PART GASKET COVER
		30	1	EA	1000346475	PART CABLE WATER VALVE ACTUATOR
		31	1	EA	1000346507	PART CABLE DOOR ACTUATOR
SP	SP	32	2	EA	B170144	ASSY ASSY LOUVER OUTLET
SP	SP	33	3	EA	B170145	PART ASSY LOUVER OUTLET
		34	1	EA	B173048	PART VALVE WATER
		35	1	EA	B200115	PART SCREW #6 X 3/8 PAN HEAD
		36	3	EA	B200306	PART SCREW #10 X 1/2 HEX W/WASHER
		37	1	EA	B201859	PART SCREW M6 X 1.0, HX
		38	6	EA	B202771	PART WASHER FLAT METRIC SIZE 4
		39	4	EA	B203819	PART NUT 7/16-28 HEX SWITCH
		40	1	EA	B204265	PART SPACER
SP		41	2	EA	B206057	PART RIVET POP, BLACK
		42	1	EA	B280386	PART COIL KK-550 HEATER
		43	1	EA	B290028	PART CLIP CABLE
		44	1	EA	B290247	PART CLAMP
		45	1	EA	B290375	PART LATCH OVER CENTER
		46	1	EA	B320003	PART HOSE HEATER
		47	1	EA	B342297	PART DECAL WIRING DIAGRAM
		48	2	EA	B342550	PART TAPE DIRECTIONAL FLOW ARROW
		49	1	EA	B354931	PART FILTER COIL
		50	1	EA	B355214	PART GASKET CASE LOWER LEFT SIDE
		51	1	EA	B355215	PART GASKET CASE LOWER RIGHT SIDE
		52	1	EA	B355217	PART GASKET CASE UPPER RIGHT SIDE
		53	1	EA	B355218	PART GASKET CASE UPPER LEFT SIDE
SP		54	1	EA	B400174	PART COIL KA-550 EVAPORATOR
SP		55	1	EA	B404028	PART THERMOSTAT

METRIC		COMBO, KK-550, 12V		Released	
UNLESS OTHERWISE SPECIFIED, ALL DIMENSIONS ARE IN MILLIMETRES SURFACE FINISH IN MICROMETRES. UNLESS OTHERWISE SPECIFIED, DIMENSIONS WITH OUT TOL. ARE REFERENCE		SEE BOM		103278	
MACHINED SURFACE FINISH 4.0		THE INFORMATION HEREON IS CONFIDENTIAL AND PROPRIETARY PROPERTY OF BERGSTROM INC. AND/OR ITS SUBSIDIARIES. ANY USE, EXCEPT THAT FOR WHICH IT MAY BE LOANED, IS PROHIBITED.		103278G	
THIRD ANGLE PROJECTION		PROPERTY OF BERGSTROM INC.		2 OF 3	
		1		1000257830	

AC PERFORMANCE TABLE	
CAPACITY	4.1 Kw (14,000 BTU/hr)
AIR FLOW	425 m ³ /hr (250 SCFM)
MAX. POWER REQUIRED	11.0 AMPS @ 14 V.

HEATER PERFORMANCE TABLE	
CAPACITY	7.73 Kw (26,400 BTU/hr)
AIR FLOW	7.4 m ³ /min (260 SCFM)
MAX. POWER REQUIRED	11.0 AMPS @ 14 V.



METRIC		COMBO, KK-550, 12V		INSTALLATION		CUSTOMER REV	
UNLESS OTHERWISE SPECIFIED, ALL DIMENSIONS ARE IN MILLIMETRES. SURFACE FINISH: IN MICROMETRES. 2.2 UNSPECIFIED TOLERANCES:		SEE BOM		Released		N/A	
DIMENSIONS WITH OUT TOL. ARE REFERENCE		CREATED BY: Brad Davidson	LAST MODIFIED BY: Prakash Kumar	CAD TYPE: Pro/E	REV CONTROL: PDMlink	PROJECT NUMBER: 103278	PCN NUMBER: 103278G
MACHINED SURFACE FINISH 4.0		CREATED ON: 15OCT2011	LAST MODIFIED ON: 11JAN2012	CUSTOMER: N/A	CUSTOMER REF NO: N/A	CUSTOMER: N/A	CUSTOMER REF NO: N/A
GEOMETRIC DIMENSIONING AND TOLERANCING PRACTICES SHALL CONFORM TO BERGSTROM DRAWING STANDARDS		THE INFORMATION HEREON IS CONFIDENTIAL AND PROPRIETARY PROPERTY OF BERGSTROM INC. AND/OR ITS SUBSIDIARIES. ANY USE, EXCEPT THAT FOR WHICH IT MAY BE LOANED, IS PROHIBITED.		ENGRG CONTROL: USA	DRAWING NO: 1000257830	MODEL TYPE: ASSEM	SHEET: 3 OF 3
THIRD ANGLE PROJECTION	PROPERTY OF BERGSTROM INC.	REVISION: 1	PART NUMBER: 1000257830				