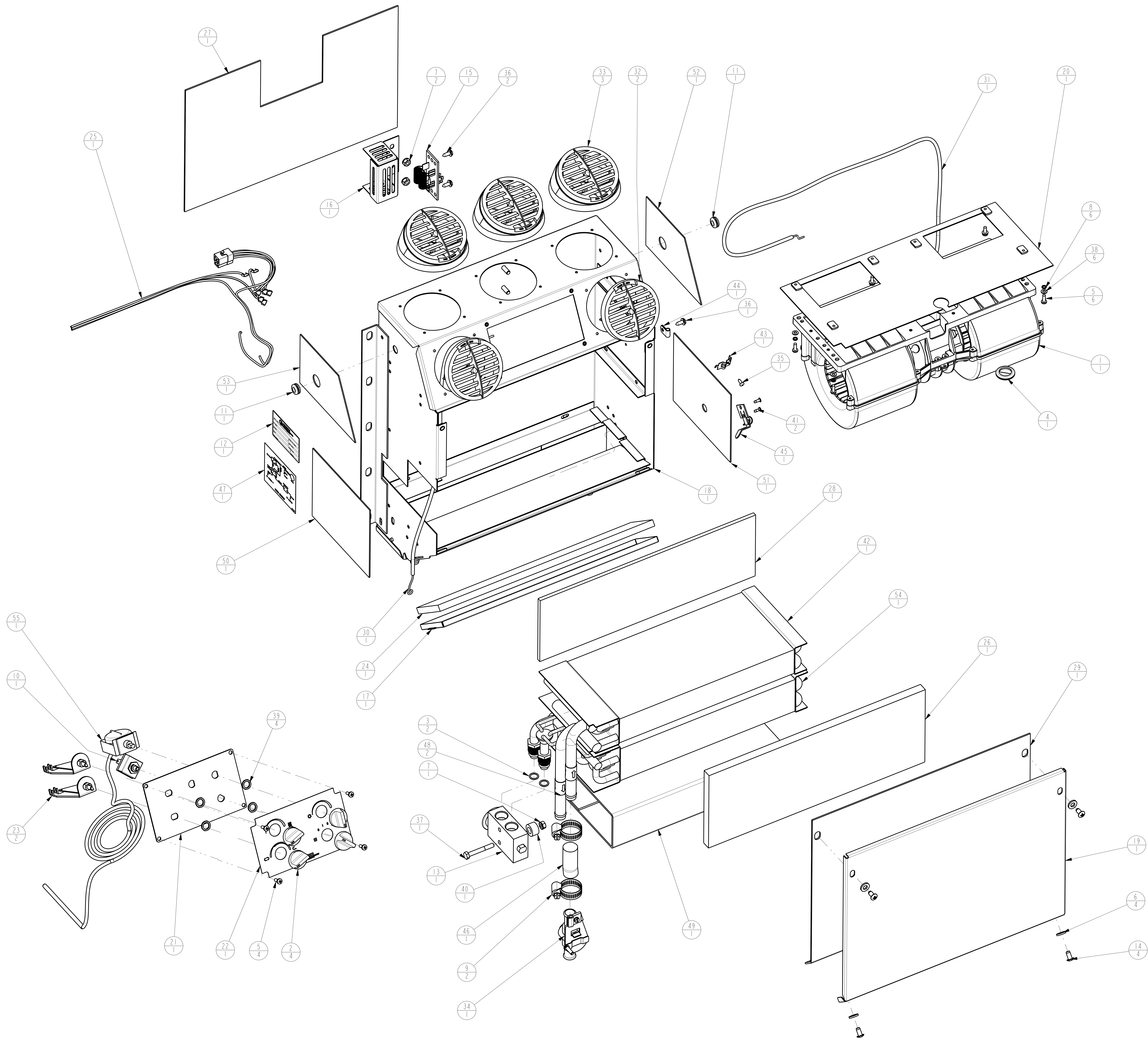




**Bergstrom**  
*Climate Control Systems*

**KK-550**  
**Kombo 24V**  
**3380010 / 1000257831**  
**JANUARY 11, 2012**

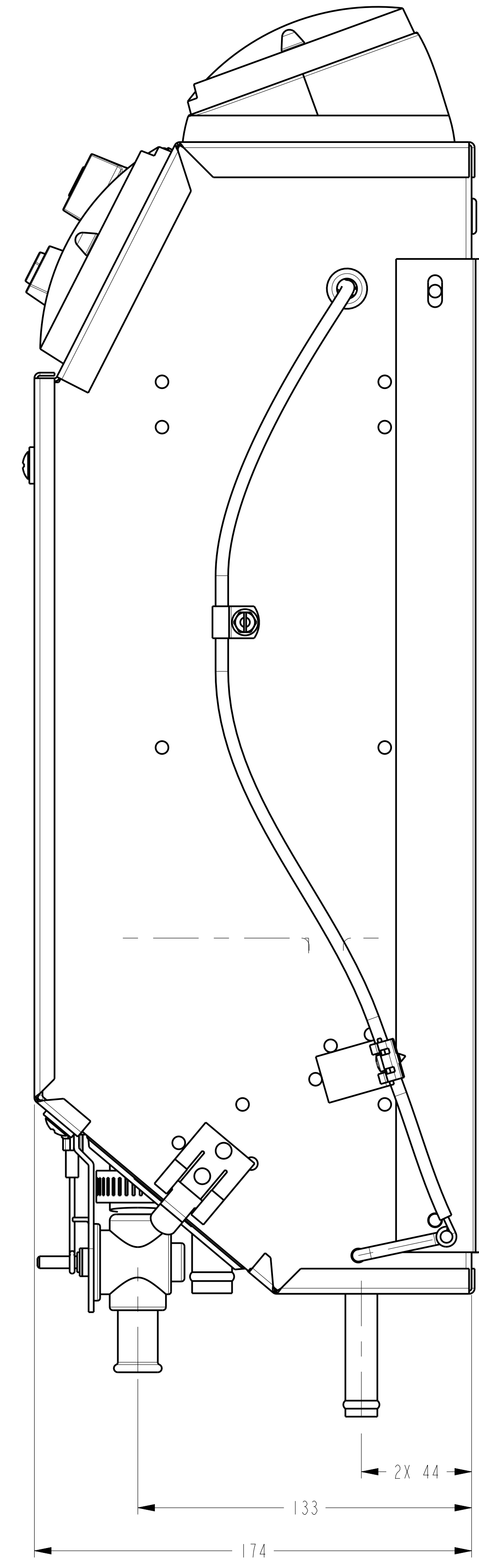
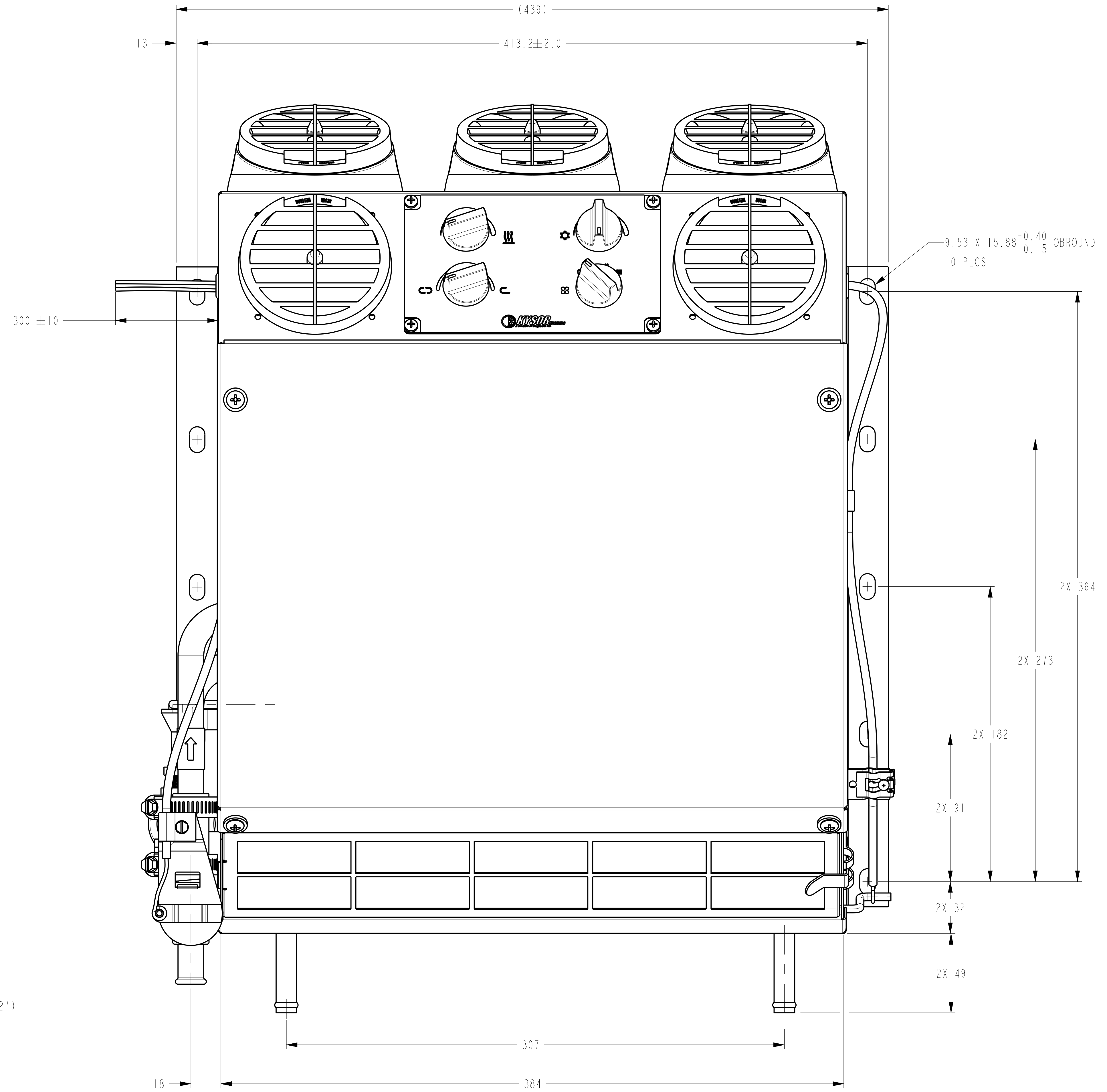
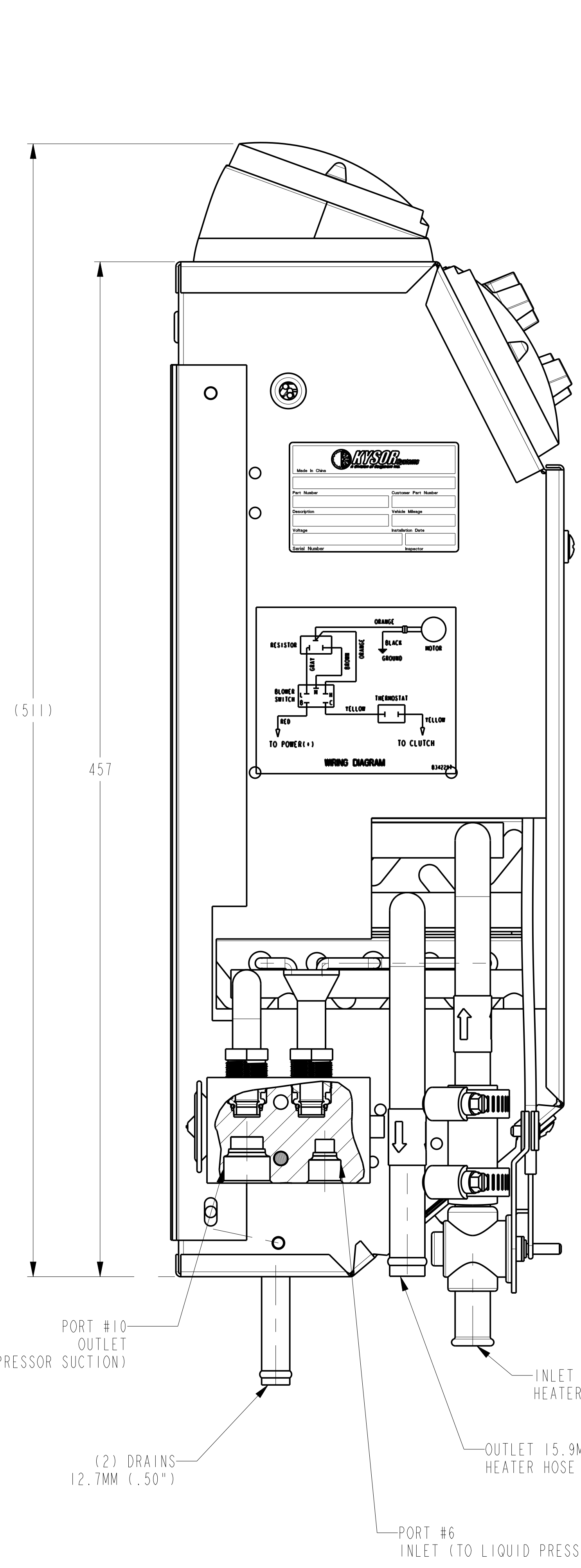
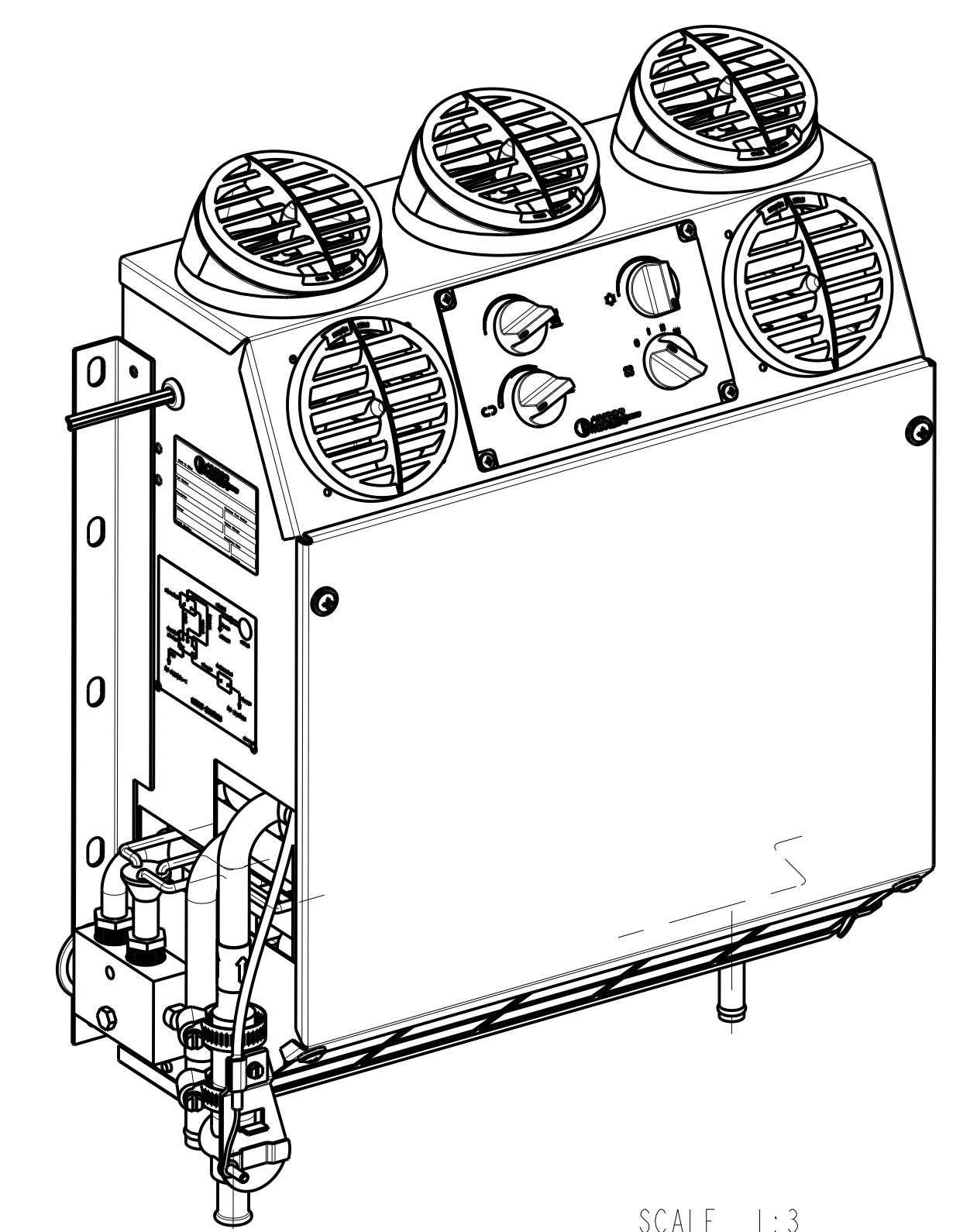
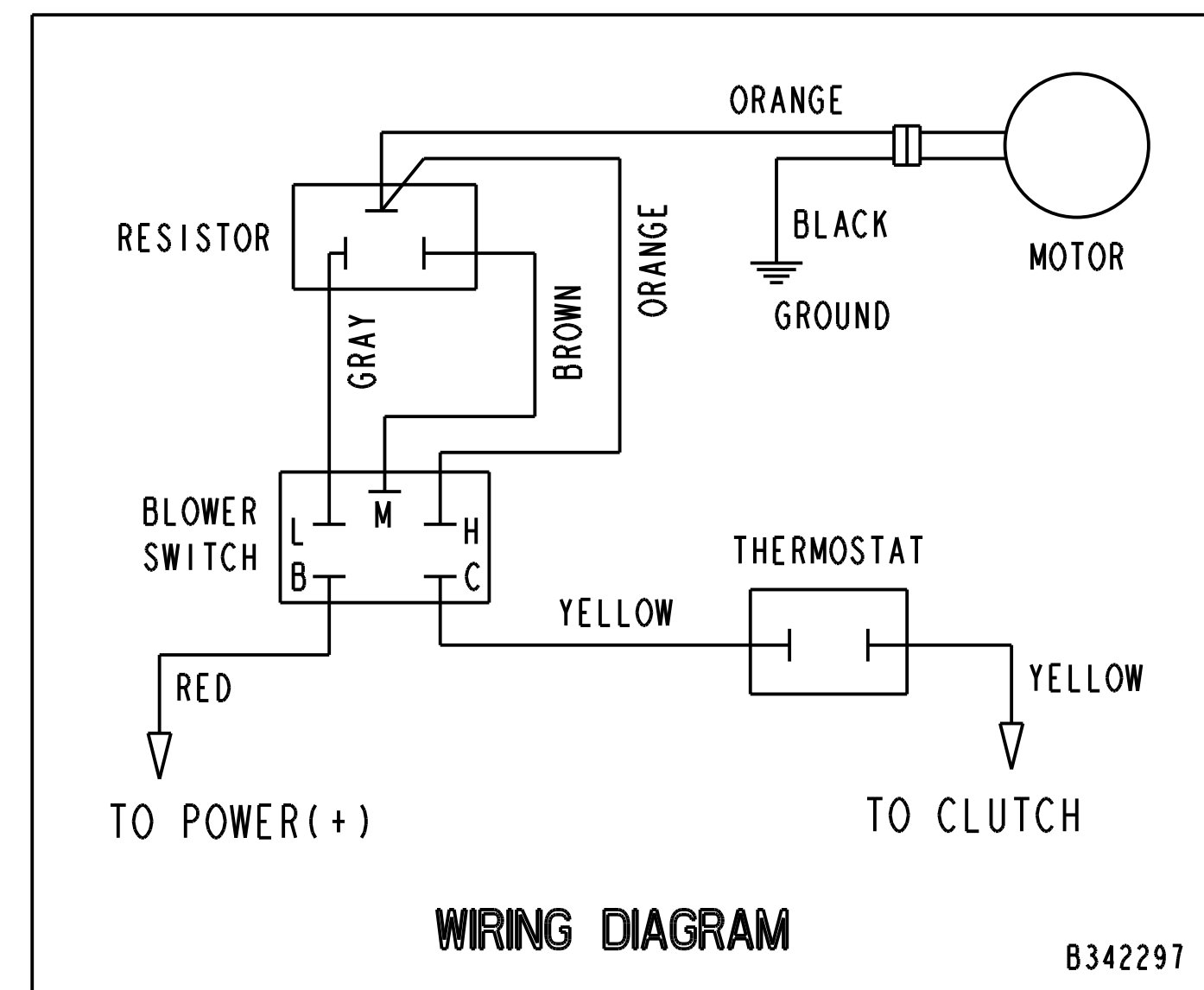


ENGINEERING BILL OF MATERIAL						
SERVICE	PARTS	ITEM	QTY	U/M	PART NUMBER	DESCRIPTION
SP	1	EA	519715	ASSY	ASSEMBLY	BLOWER 24 V
SP	2	EA	525588	PART	KNOB	HTR. - A/C CONTROL
	3	EA	564700	PART	O-RING	O-Ring, #8 HNBR (GREEN)
	4	EA	572360	PART	GROMMET	
	5	EA	600147	PART	SCREW	M4 X 12mm PHILLIPS HEAD
	6	EA	605006	PART	WASHER	M6 HARDENED FLAT
	7	EA	614806	PART	NUT	KEPS, M6X1.0
	8	EA	620230	PART	WSHR	NO 8 SPLIT RING
	9	EA	630020	PART	HOSE	CLAMP
SP	10	EA	650657	PART	SWITCH	BLOWER
	11	EA	1000289917	PART	GROMMET	3/8 ID 3K8785
	12	EA	1000292968	PART	DECAL	KYSOR I.D.
SP	13	EA	1000300919	PART	VALVE	EXP. (BLOCK)
	14	EA	1000303011	PART	SCREW	M6X1.0 12MM
SP	15	EA	1000303297	PART	RESISTOR	24V W2 152C FUSE
	16	EA	1000315401	PART	BRACKET	RESISTOR
	17	EA	1000341268	PART	PLATE	FILTER RETAINER
	18	EA	1000341695	ASM	CASE	WELDMENT
	19	EA	1000341696	PART	PLATE	CASE COVER
	20	EA	1000341936	ASSY	WELDMENT	BLOWER MOUNTING
	21	EA	1000342454	PART	PLATE	CONTROL
	22	EA	1000342482	PART	DECAL	CONTROL
	23	EA	1000343373	PART	CONTROL	CABLE
SP	24	EA	1000343377	PART	FILTER	RECIRCULATION
	25	EA	1000344094	ASSY	HARNESS	WIRE
	26	EA	1000346291	PART	GASKET	COIL
	27	EA	1000346292	PART	GASKET	BACK
	28	EA	1000346293	PART	GASKET	COIL BOTTOM
	29	EA	1000346296	PART	GASKET	COVER
	30	EA	1000346475	PART	CABLE	WATER VALVE ACTUATOR
	31	EA	1000346507	PART	CABLE	DOOR ACTUATOR
SP	32	EA	B170144	ASSY	ASSY	LOUVER OUTLET
SP	33	EA	B170145	PART	ASSY	LOUVER OUTLET
	34	EA	B173048	PART	VALVE	WATER
	35	EA	B200115	PART	SCREW	#6 X 3/8 PAN HEAD
	36	EA	B200306	PART	SCREW	#10 X 1/2 HEX W/WASHER
	37	EA	B201859	PART	SCREW	M6 X 1.0, HX
	38	EA	B202771	PART	WASHER	FLAT METRIC SIZE 4
	39	EA	B203819	PART	NUT	7/16-28 HEX SWITCH
	40	EA	B204265	PART	SPACER	
	41	EA	B206057	PART	RIVET	POP, BLACK
SP	42	EA	B280386	PART	COIL	KK-550 HEATER
	43	EA	B290028	PART	CLIP	CABLE
	44	EA	B290247	PART	CLAMP	
	45	EA	B290375	PART	LATCH	OVER CENTER
	46	EA	B320003	PART	HOSE	HEATER
	47	EA	B342297	PART	DECAL	WIRING DIAGRAM
	48	EA	B342550	PART	TAPE	DIRECTIONAL FLOW ARROW
	49	EA	B354931	PART	FILTER	COIL
	50	EA	B355214	PART	GASKET	CASE LOWER LEFT SIDE
	51	EA	B355215	PART	GASKET	CASE LOWER RIGHT SIDE
	52	EA	B355217	PART	GASKET	CASE UPPER RIGHT SIDE
	53	EA	B355218	PART	GASKET	CASE UPPER LEFT SIDE
SP	54	EA	B400174	PART	COIL	KA-550 EVAPORATOR
SP	55	EA	B404028	PART	THERMOSTAT	

<b>METRIC</b>		UNLESS OTHERWISE SPECIFIED, ALL DIMENSIONS ARE IN MILLIMETRES. SURFACE FINISH IN MICROMETRES. UNLESS OTHERWISE SPECIFIED.	
DIMENSIONS WITH OUT TOL. ARE REFERENCE		MACHINED SURFACE FINISH 4.0	
GEOMETRIC DIMENSIONING AND TOLERANCING PRACTICES SHALL CONFORM TO BERGSTROM DRAWING STANDARDS		THIRD ANGLE PROJECTION	
DRAWING TITLE: COMBO, KK-550, 24V		DRAWING NUMBER: 103278G	
CREATED BY: Brad Davidson		LAST MODIFIED BY: Prakash Kumar	
CREATED ON: 06DEC2011		LAST MODIFIED ON: 11JAN2012	
CUSTOMER: N/A		CUSTOMER REF NO: N/A	
DRAWING SCALE: 1:2		SHEET: 2 OF 3	
PROPERTY OF: BERGSTROM INC.		REVISION: 1	
PART NUMBER: 1000257831		CUSTOMER REV: N/A	
Released		Pro/E PDM link	
103278		103278G	

AC PERFORMANCE TABLE	
CAPACITY	4.1 Kw (14,000 BTU/hr)
AIR FLOW	425 m <sup>3</sup> /hr (250 SCFM)
MAX. POWER REQUIRED	7.5 AMPS @ 28 V.

HEATER PERFORMANCE TABLE	
CAPACITY	7.73 Kw (26,400 BTU/hr)
AIR FLOW	7.4 m <sup>3</sup> /min (260 SCFM)
MAX. POWER REQUIRED	7.5 AMPS @ 28 V.



METRIC		COMBO, KK-550, 24V		INSTALLATION		CUSTOMER REV	
UNLESS OTHERWISE SPECIFIED, ALL DIMENSIONS ARE IN MILLIMETRES SURFACE FINISH IN MICROMETRES. 2.2 UNSPECIFIED TOLERANCES:		SEE BOM		Released		N/A	
DIMENSIONS WITH OUT TOL. ARE REFERENCE		CREATED BY: Brad Davidson	LAST MODIFIED BY: Prakash Kumar	CAD TYPE: Pro/E	REV CONTROL: PDMlink	PROJECT NUMBER: 103278	PCN NUMBER: 103278G
MACHINED SURFACE FINISH 4.0		CREATED ON: 06DEC2011	LAST MODIFIED ON: 11JAN2012	CUSTOMER: N/A	CUSTOMER REF NO: N/A	CUSTOMER: N/A	CUSTOMER REF NO: N/A
GEOMETRIC DIMENSIONING AND TOLERANCING PRACTICES SHALL CONFORM TO BERGSTROM DRAWING STANDARDS		THE INFORMATION HEREON IS CONFIDENTIAL AND PROPRIETARY PROPERTY OF BERGSTROM INC. AND/OR ITS SUBSIDIARIES. ANY USE, EXCEPT THAT FOR WHICH IT MAY BE LOANED, IS PROHIBITED.		ENGRG CONTROL: USA	DRAWING NO: 1000257831	MODEL TYPE: ASSEM	SHEET: 3 OF 3
THIRD ANGLE PROJECTION	PROPERTY OF BERGSTROM INC.	REVISION: 1	PART NUMBER: 1000257831				