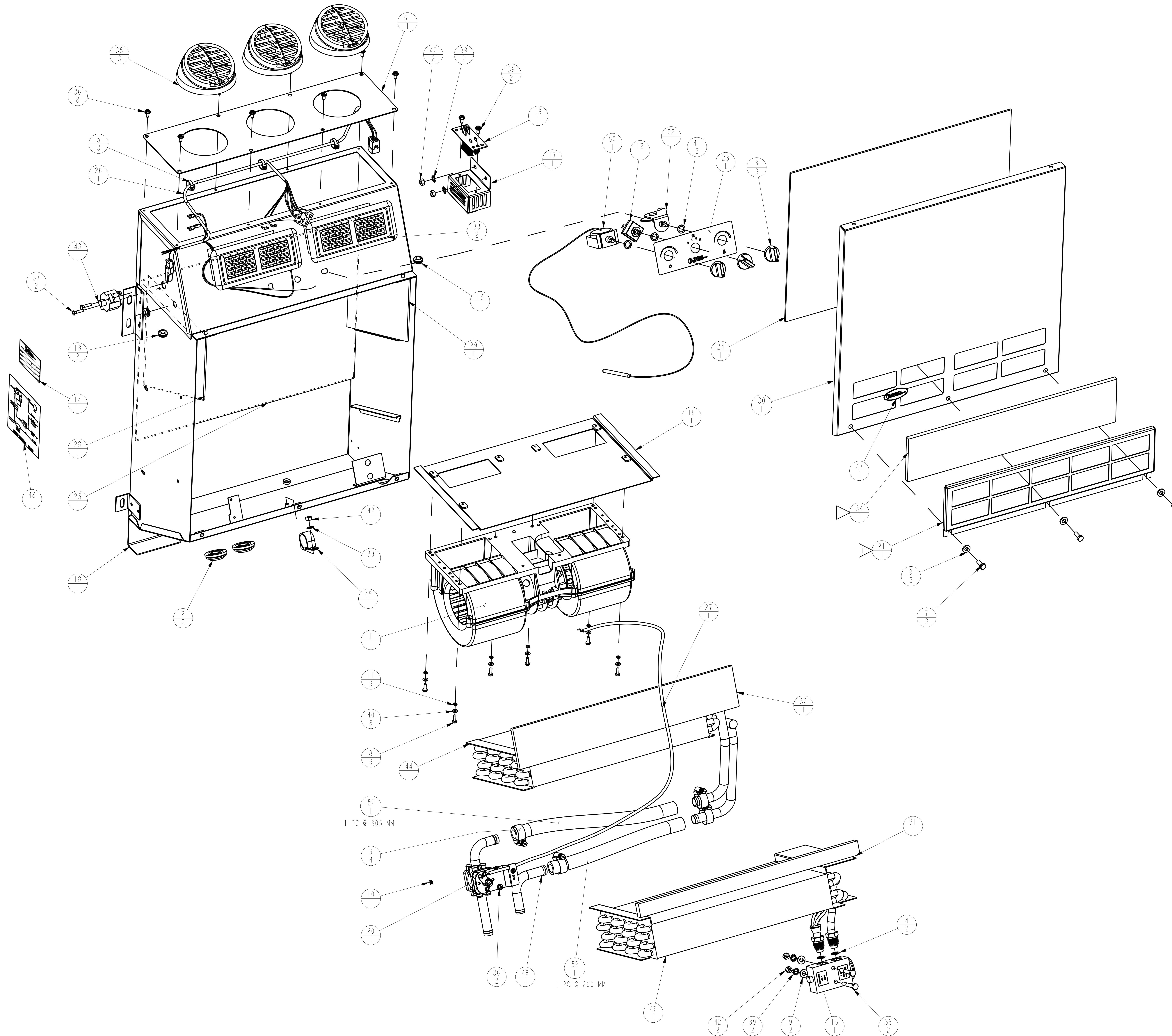




Bergstrom
Climate Control Systems

KK-600
Kombo 12V
3380013 / 1000258386

May 9, 2012



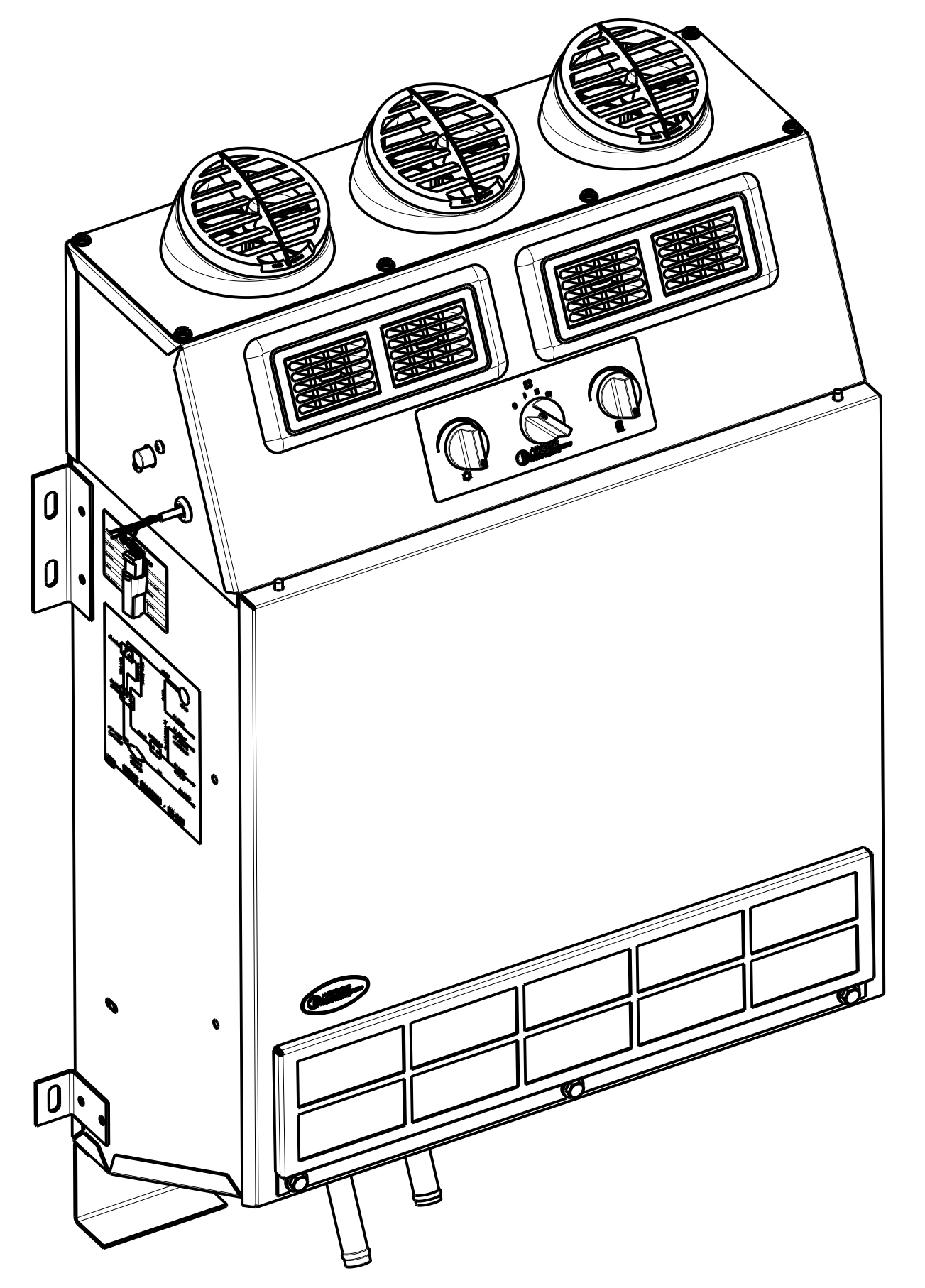
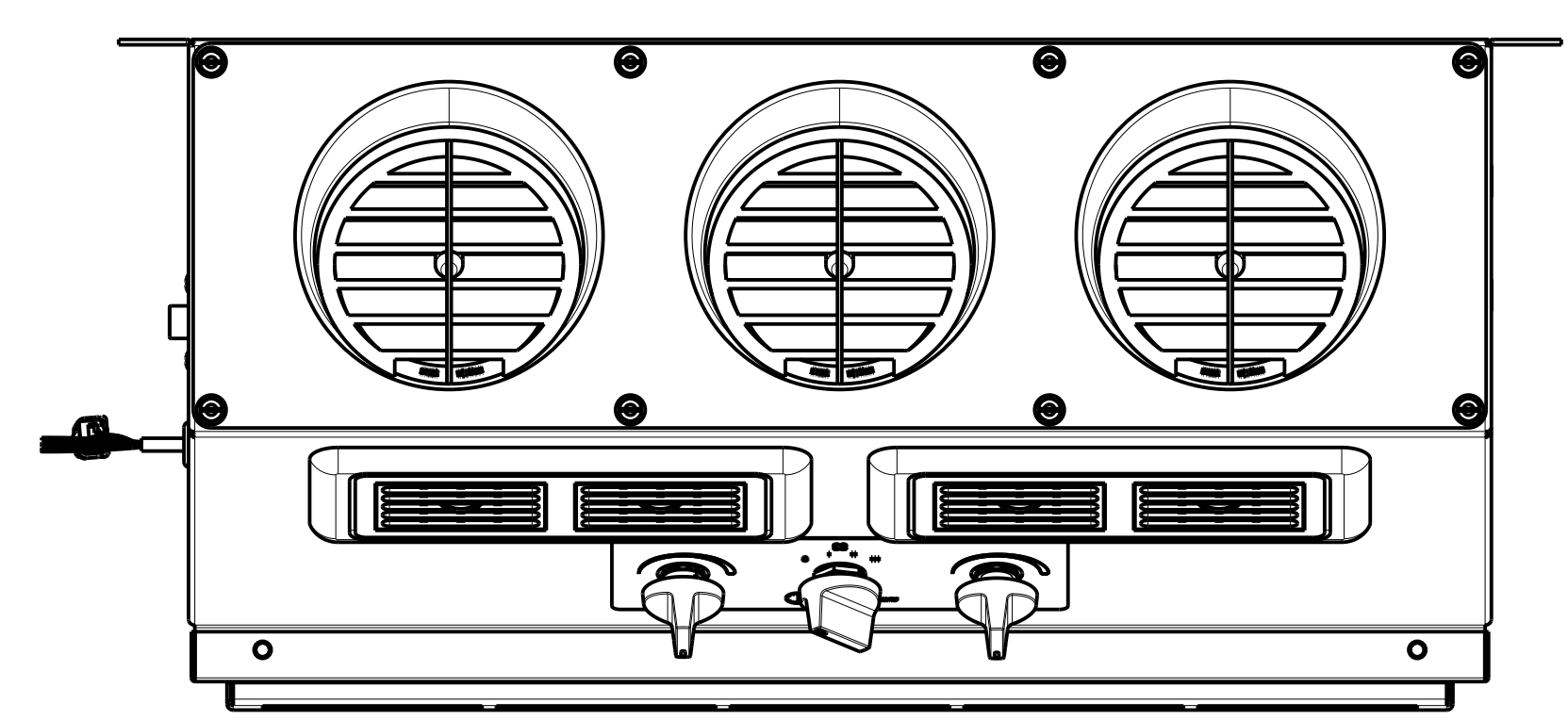
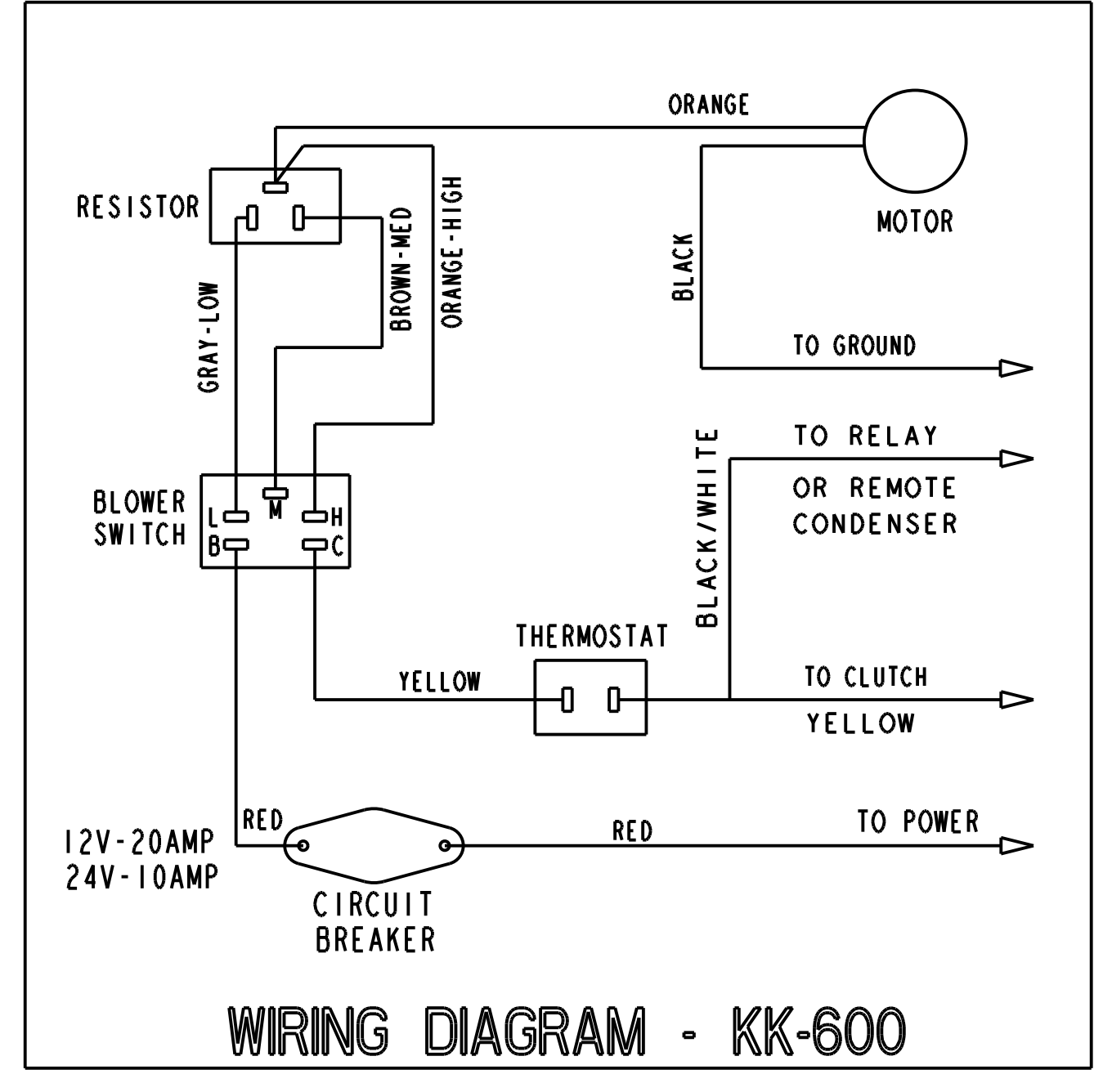
ENGINEERING BILL OF MATERIAL						
SERVICE PARTS	ITEM	QTY	U/M	PART NUMBER	ENGINEERING NOUN	DESCRIPTION
SP	1	1	EA	519703	ASSY ASSEMBLY	BLOWER 12V
	2	2	EA	520261	PART GROMMET	VINYL
SP	3	3	EA	525588	PART KNOB	HTR. - A/C CONTROL
	4	2	EA	564700	PART O-RING	O-Ring, #8 HNBR (GREEN)
	5	3	EA	587750	PART TIE	CABLE
	6	4	EA	589930	PART HOSE	CLAMP
	7	3	EA	600106	PART SCREW	M6 X 16mm HEX HEAD
	8	6	EA	600147	PART SCREW	M4 X 12mm PHILLIPS HEAD
	9	5	EA	605006	PART WASHER	M6 HARDENED FLAT
	10	1	EA	607500	PART CLIP	COMPRESSION
	11	6	EA	620230	PART WASHER	NO 8 SPLIT RING
SP	12	1	EA	650657	PART SWITCH	BLOWER
	13	3	EA	1000289917	PART GROMMET	3/8 ID 3K8785
	14	1	EA	1000292968	PART DECAL	KYSOR I.D.
SP	15	1	EA	1000300919	PART VALVE	EXP. (BLOCK)
SP	16	1	EA	1000303265	PART RESISTOR	12V W2 152C FUSE
	17	1	EA	1000315401	PART BRACKET	RESISTOR
	18	1	EA	1000368354	ASM WELDMENT	KK-600 CASE
	19	1	EA	1000368365	ASSY WELDMENT	BLOWER MOUNTING
SP	20	1	EA	1000368705	ASSY VALVE	WATER
	21	1	EA	1000369353	PART PLATE	FILTER RETAINER
	22	1	EA	1000369535	PART CONTROL	CABLE
	23	1	EA	1000369673	PART DECAL	KK-600 CONTROL
	24	1	EA	1000369718	PART GASKET	KK-600 COVER
	25	1	EA	1000369720	PART GASKET	KK-600 BASE
	26	1	EA	1000369807	ASSY HARNESS	WIRE
	27	1	EA	1000369864	PART CABLE	WATER VALVE
	28	1	EA	1000369973	PART GASKET	LEFT SIDE
	29	1	EA	1000369974	PART GASKET	RIGHT SIDE
	30	1	EA	1000369978	PART PLATE	COVER
	31	1	EA	1000370060	PART GASKET	AIR BLOCK-OFF
	32	1	EA	1000370064	PART GASKET	AIR BLOCK-OFF
SP	33	2	EA	1000370193	PART LOUVER	RECTANGLE (CHINA)
SP	34	1	EA	1000371990	PART FILTER	RECIRCULATING AIR
SP	35	3	EA	B170145	PART ASSY	LOUVER OUTLET
	36	12	EA	B200306	PART SCREW	#10 X 1/2 HEX W/WASHER
	37	2	EA	B200735	PART SCREW	PAN HD
	38	2	EA	B201859	PART SCREW	M6 X 1.0, HX
	39	5	EA	B202210	PART WASHER	EXTERNAL LOCK TOOTH
	40	6	EA	B202771	PART WASHER	FLAT METRIC SIZE 4
	41	3	EA	B203819	PART NUT	7/16-28 HEX SWITCH
	42	5	EA	B203868	PART NUT	M6 X 1.0, PITCH HEX GR 8.8
SP	43	1	EA	B221523	PART CIRCUIT BREAKER	MANUAL RESET
SP	44	1	EA	B280306	PART COIL	HEATER KK-600
	45	1	EA	B290084	PART CLAMP	1.00 ID
	46	1	EA	B330251	PART TUBE	90 DEG., 5/8" TUBE
	47	1	EA	B341746	PART DECAL	KYSOR
	48	1	EA	B342180	PART DECAL	WIRING DIAGRAM
SP	49	1	EA	B400105	PART COIL	EVAPORATOR KK-600
SP	50	1	EA	B404028	PART THERMOSTAT	
	51	1	EA	B514697	PART PLATE	ACCESS COVER
	52	565	MM	505300	BULK HOSE	HEATER, 5/8" I.D.

NOTES:
 1. RECIRCULATION FILTER AND FRAME ARE AN OPTION ONLY AND ARE NOT SUPPLIED WITH UNIT.

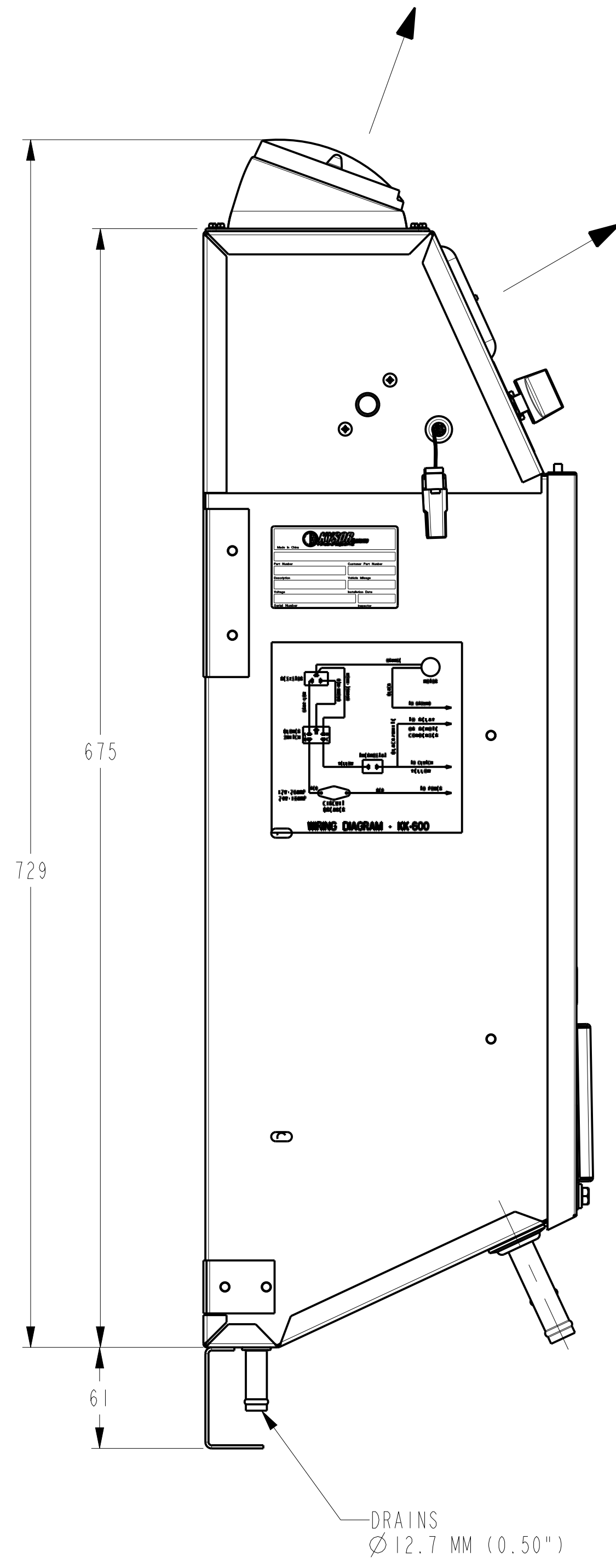
METRIC		KOMBO, KK-600 ASSEMBLY-12V		SERVICE		CUSTOMER REV	
UNLESS OTHERWISE SPECIFIED, ALL DIMENSIONS ARE IN MILLIMETRES SURFACE FINISH IN MICROMETRES. 2. UNspecified TOLERANCES:		SEE BOM		Released		N/A	
DIMENSIONS WITHOUT TOL. ARE REFERENCE		CREATED BY: Brad Davidson	LAST MODIFIED BY: Gurdeep Bhoday	CAD TYPE: Pro/E	EXP. CONTROL: PDMLink	PROJECT NUMBER: 103278	REV NUMBER: 103278H
MACHINED SURFACE FINISH: 4.3		CREATED ON: 03MAR2012	LAST MODIFIED ON: 24MAR2012	CUSTOMER: N/A	CUSTOMER REF NO: N/A	CUSTOMER: N/A	CUSTOMER REF NO: N/A
GEOMETRIC DIMENSIONING AND TOLERANCING PRACTICES SHALL CONFORM TO BERGSTROM DRAWING STANDARDS		THE INFORMATION HEREON IS CONFIDENTIAL AND PROPRIETARY PROPERTY OF BERGSTROM INC. AND/OR ITS SUBSIDIARIES. ANY USE, EXCEPT THAT FOR WHICH IT MAY BE LOANED, IS PROHIBITED.		ENGRG CONTROL: USA	DRAWING NO: 1000258386	MODEL TYPE: ASSEM	SHEET: 2 OF 3
THIRD ANGLE PROJECTION	PROPERTY OF BERGSTROM INC.	REVISION: 1	PART NUMBER: 1000258386				

AC PERFORMANCE TABLE	
CAPACITY	5.6 Kw (19,000 BTU/hr)
AIR FLOW	595 SCMH (350 SCFM)
MAX. POWER REQUIRED	12.0 AMPS @ 14 V.

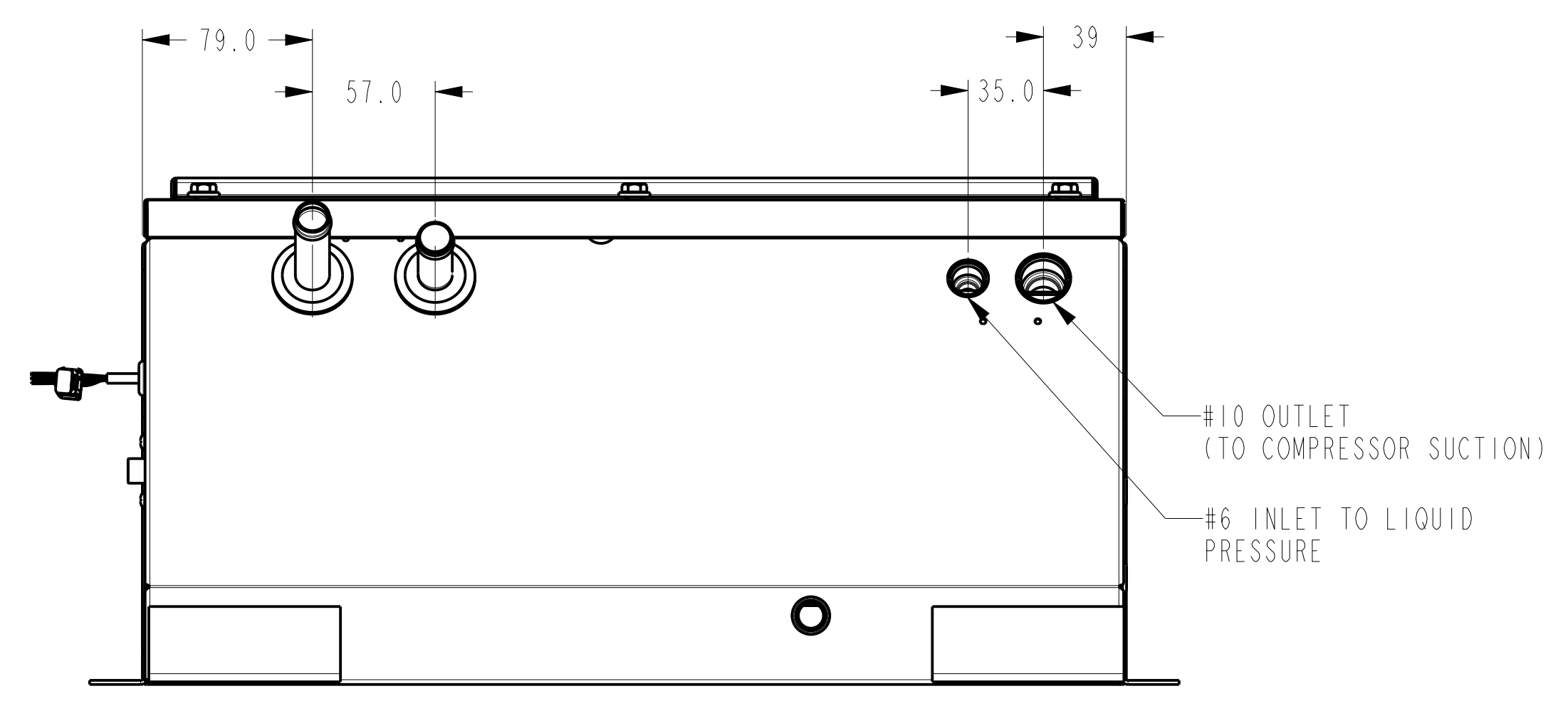
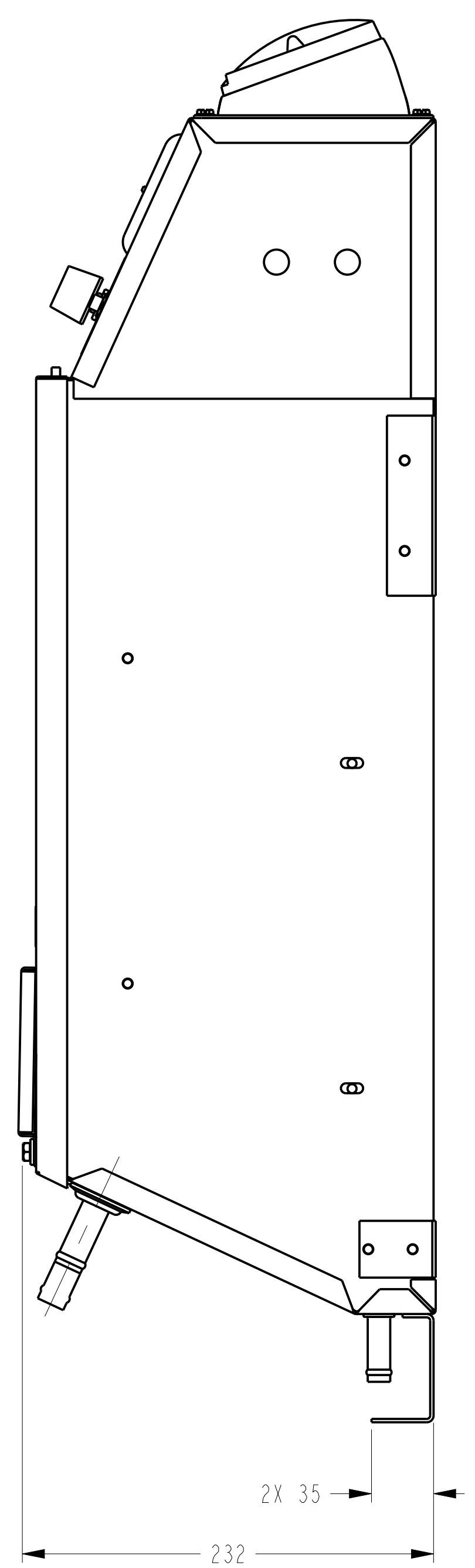
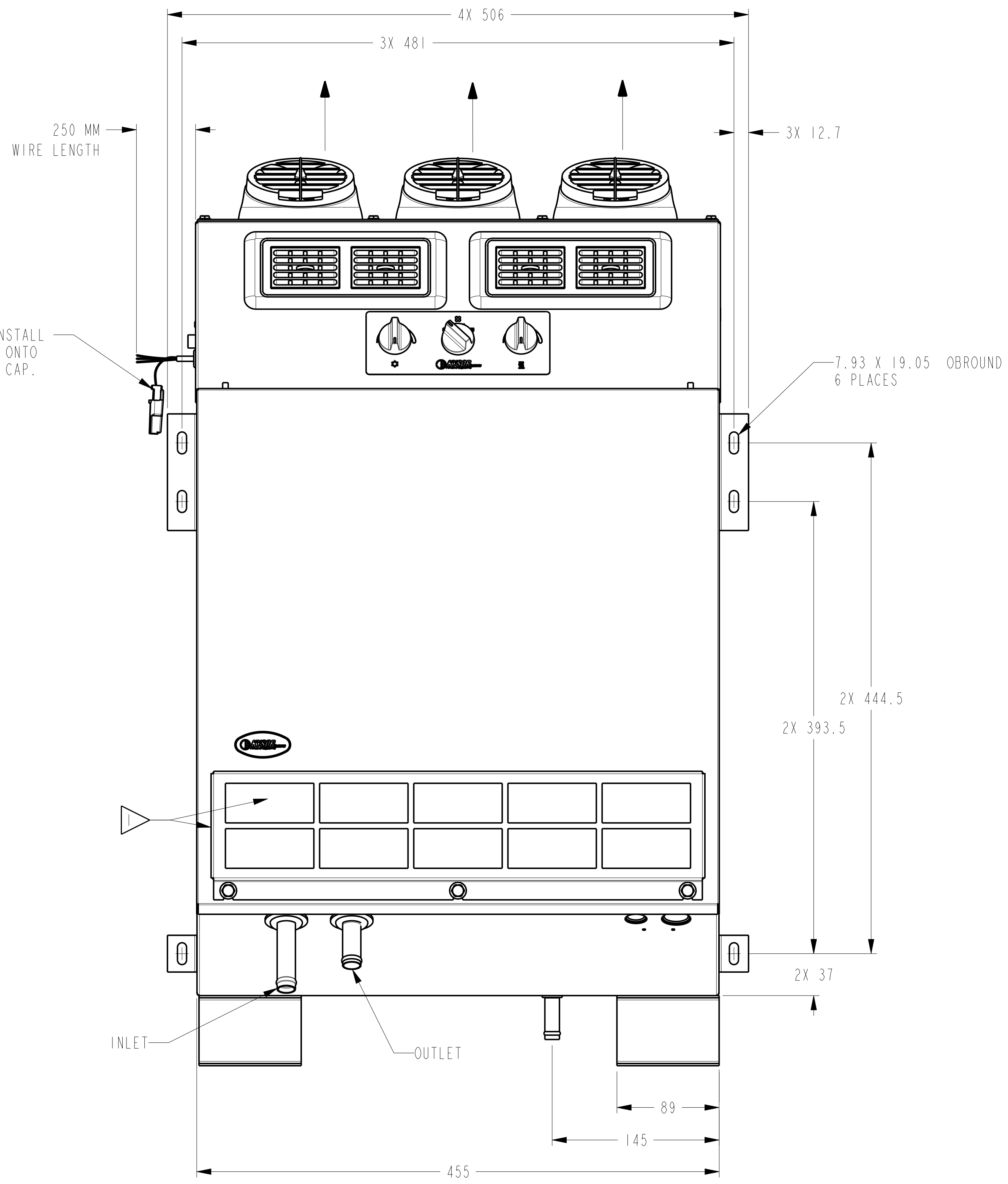
HEATER PERFORMANCE TABLE	
CAPACITY	12.0 Kw (41,100 BTU/hr)
AIR FLOW	560 SCMH (330 SCFM)
COOLANT FLOW	1500 LPM (12.7 GPM)



SCALE 3:10



MALE CONNECTOR P/N B220386. INSTALL FEMALE CONNECTOR P/N B220375 ONTO MALE CONNECTOR TO SERVE AS A CAP.



NOTES:
1. RECIRCULATION FILTER AND FRAME ARE AN OPTION ONLY AND ARE NOT SUPPLIED WITH UNIT.

METRIC		INSTALLATION		CUSTOMER REV	
UNLESS OTHERWISE SPECIFIED, ALL DIMENSIONS ARE IN MILLIMETRES SURFACE FINISH IN MICROMETRES. R2		KOMBO, KK-600 ASSEMBLY-12V		N/A	
UNSPECIFIED TOLERANCES:		SEE BOM		Released	
DIMENSIONS WITHOUT TOL. ARE REFERENCE		CREATED BY: Brad Davidson	LAST MODIFIED BY: Gurdeep Bhoday	CAD TYPE: Pro/E	REV CONTROL: PDMlink
MACHINED SURFACE FINISH: 4.0		CREATED ON: 02MAR2012	LAST MODIFIED ON: 24MAR2012	PROJECT NUMBER: 103278	REV NUMBER: 103278H
GEOMETRIC DIMENSIONING AND TOLERANCING PRACTICES SHALL CONFORM TO BERGSTROM DRAWING STANDARDS		THE INFORMATION HEREON IS CONFIDENTIAL AND PROPRIETARY PROPERTY OF BERGSTROM INC. AND/OR ITS SUBSIDIARIES. ANY USE, EXCEPT THAT FOR WHICH IT MAY BE LOANED, IS PROHIBITED.		CUSTOMER: N/A	CUSTOMER REF NO: N/A
THIRD ANGLE PROJECTION		PROPERTY OF BERGSTROM INC.		DRAWING SCALE: 2:5	MODEL TYPE: ASSEM
		REVISION: 1		DRAWING SHEET: A0	SHEET: 3 OF 3
		PART NUMBER: 1000258386			