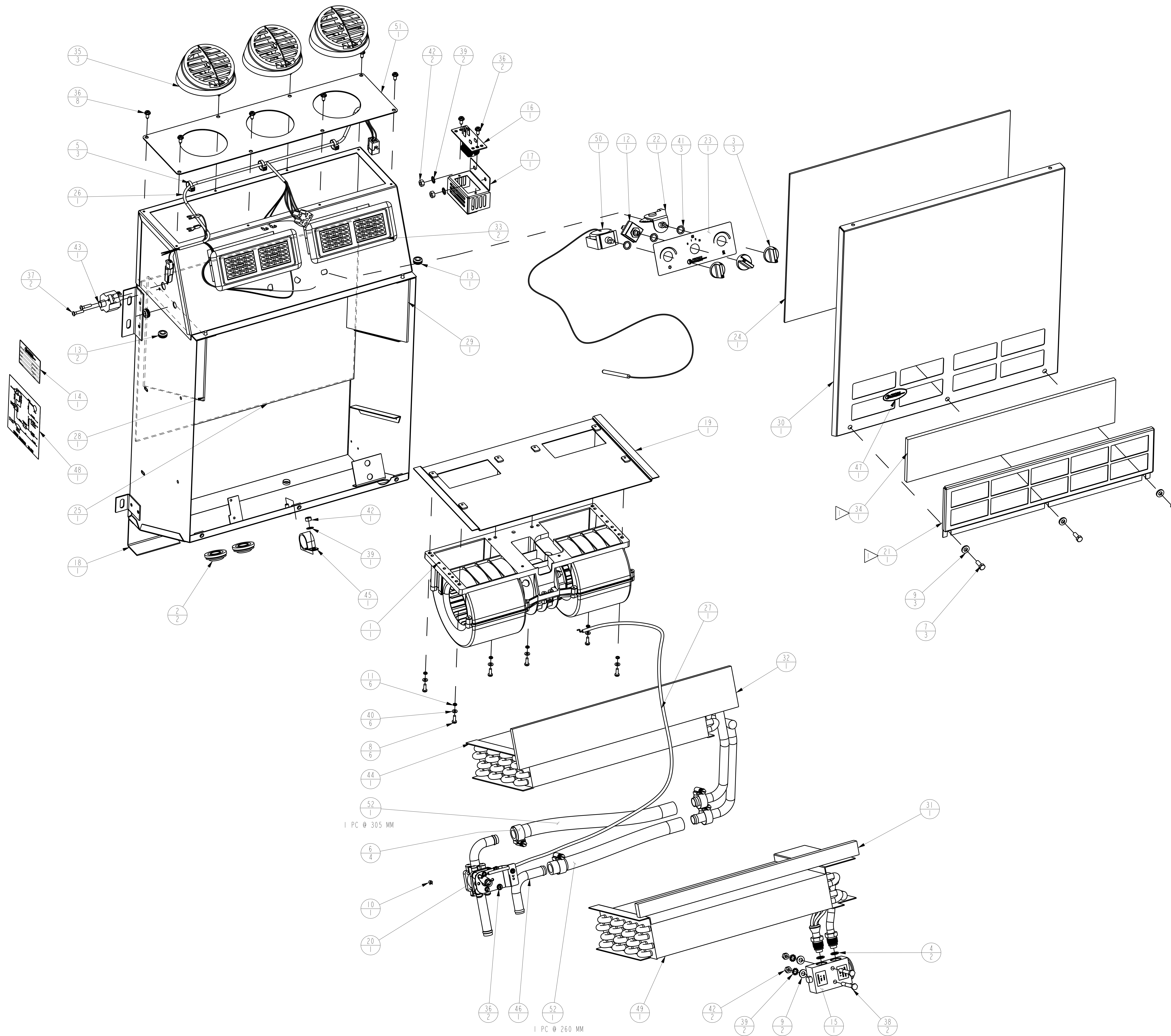




Bergstrom
Climate Control Systems

KK-600
Kombo 24V
3380014 / 1000258387

May 9, 2012



SERVICE PARTS		ENGINEERING BILL OF MATERIAL			
ITEM	QTY	U/M	PART NUMBER	TYPE	DESCRIPTION
SP	1	EA	519715	ASSY	ASSEMBLY BLOWER 24 V
	2	EA	520261	PART	GROMMET VINYL
SP	3	EA	525588	PART	KNOB HTR. - A/C CONTROL
	4	EA	564700	PART	O-RING O-Ring, #8 HNBR (GREEN)
	5	EA	587750	PART	TIE CABLE
	6	EA	589930	PART	HOSE CLAMP
	7	EA	600106	PART	SCREW M6 X 16mm HEX HEAD
	8	EA	600147	PART	SCREW M4 X 12mm PHILLIPS HEAD
	9	EA	605006	PART	WASHER M6 HARDENED FLAT
	10	EA	607500	PART	CLIP COMPRESSION
	11	EA	620230	PART	WASHER NO 8 SPLIT RING
SP	12	EA	650657	PART	SWITCH BLOWER
	13	EA	1000289917	PART	GROMMET 3/8 ID 3K8785
	14	EA	1000292968	PART	DECAL KYSOR I.D.
SP	15	EA	1000300919	PART	VALVE EXP. (BLOCK)
SP	16	EA	1000303295	PART	RESISTOR 24V W2 152C FUSE
	17	EA	1000315401	PART	BRACKET RESISTOR
	18	EA	1000368354	ASM	WELDMNT KK-600 CASE
	19	EA	1000368365	ASSY	WELDMNT BLOWER MOUNTING
SP	20	EA	1000368705	ASSY	VALVE WATER
	21	EA	1000369353	PART	PLATE FILTER RETAINER
	22	EA	1000369535	PART	CONTROL CABLE
	23	EA	1000369673	PART	DECAL KK-600 CONTROL
	24	EA	1000369718	PART	GASKET KK-600 COVER
	25	EA	1000369720	PART	GASKET KK-600 BASE
	26	EA	1000369807	ASSY	HARNESS WIRE
	27	EA	1000369864	PART	CABLE WATER VALVE
	28	EA	1000369973	PART	GASKET LEFT SIDE
	29	EA	1000369974	PART	GASKET RIGHT SIDE
	30	EA	1000369978	PART	PLATE COVER
	31	EA	1000370060	PART	GASKET AIR BLOCK-OFF
	32	EA	1000370064	PART	GASKET AIR BLOCK-OFF
SP	33	EA	1000370193	PART	LOUVER RECTANGLE (CHINA)
SP	34	EA	1000371990	PART	FILTER RECIRCULATING AIR
SP	35	EA	B170145	PART	ASSY LOUVER OUTLET
	36	EA	B200306	PART	SCREW #10 X 1/2 HEX W/WASHER
	37	EA	B200735	PART	SCREW PAN HD
	38	EA	B201859	PART	SCREW M6 X 1.0, HX
	39	EA	B202210	PART	WASHER EXTERNAL LOCK TOOTH
	40	EA	B202771	PART	WASHER FLAT METRIC SIZE 4
	41	EA	B203819	PART	NUT 7/16-28 HEX SWITCH
	42	EA	B203868	PART	NUT M6 X 1.0, PITCH HEX GR 8.8
SP	43	EA	B221841	PART	CIRCUIT BREAKER MANUAL RESET
SP	44	EA	B280306	PART	COIL HEATER KK-600
	45	EA	B290084	PART	CLAMP 1.00 ID
	46	EA	B330251	PART	TUBE 90 DEG., 5/8" TUBE
	47	EA	B341746	PART	DECAL KYSOR
	48	EA	B342180	PART	DECAL WIRING DIAGRAM
SP	49	EA	B400105	PART	COIL EVAPORATOR KK-600
SP	50	EA	B404028	PART	THERMOSTAT
	51	EA	B514697	PART	PLATE ACCESS COVER

52	565	MM	505300	BULK	HOSE	HEATER, 5/8" I.D.
----	-----	----	--------	------	------	-------------------

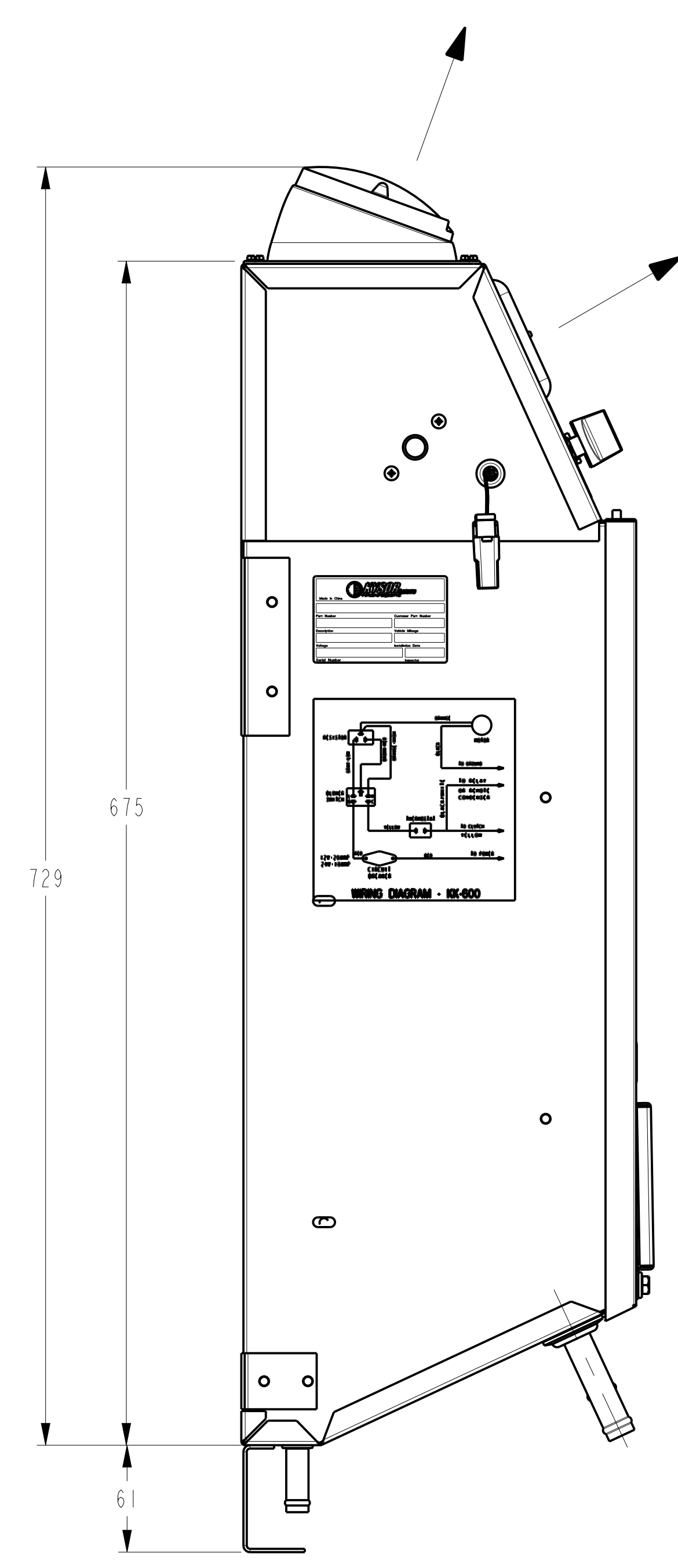
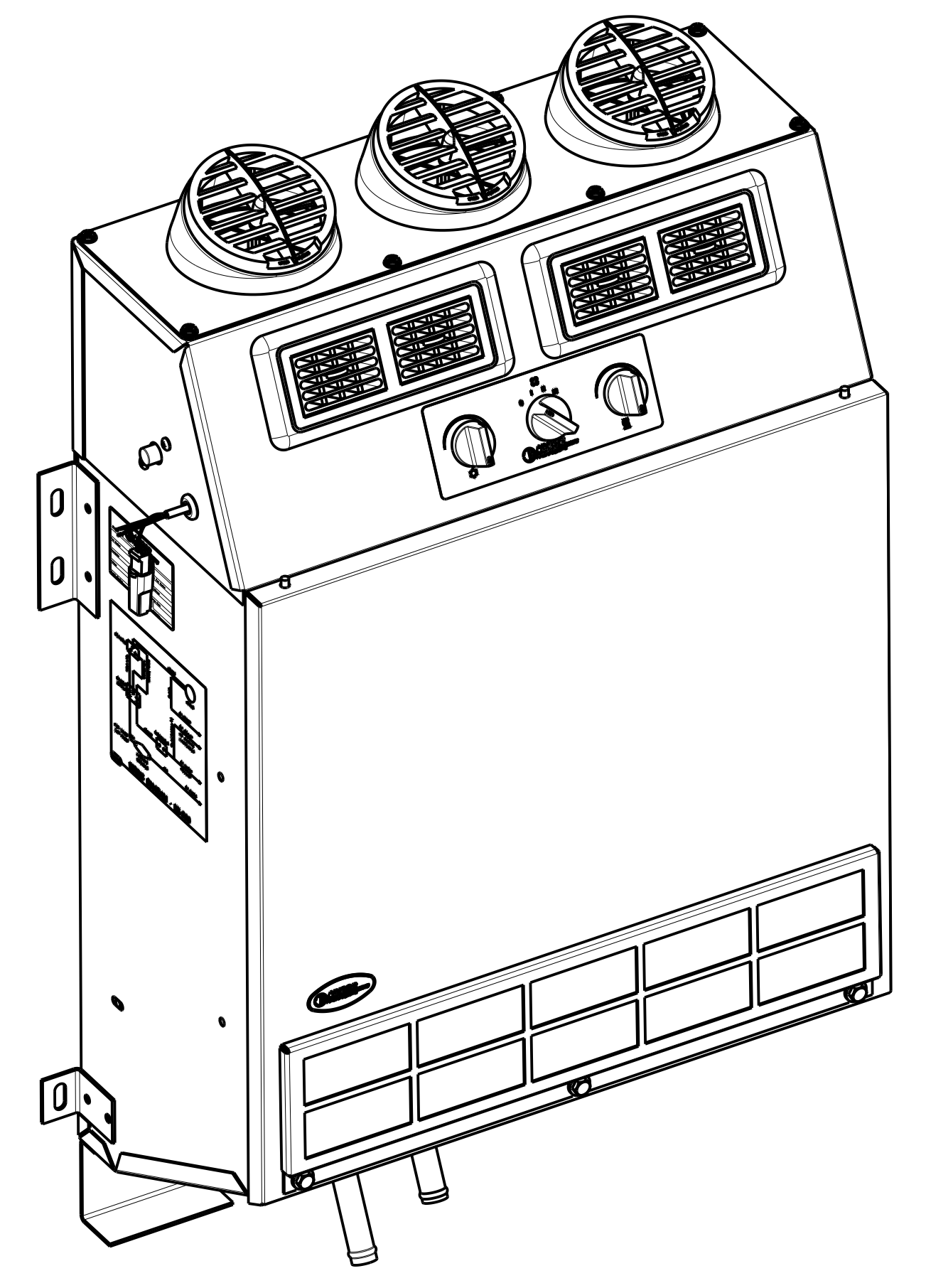
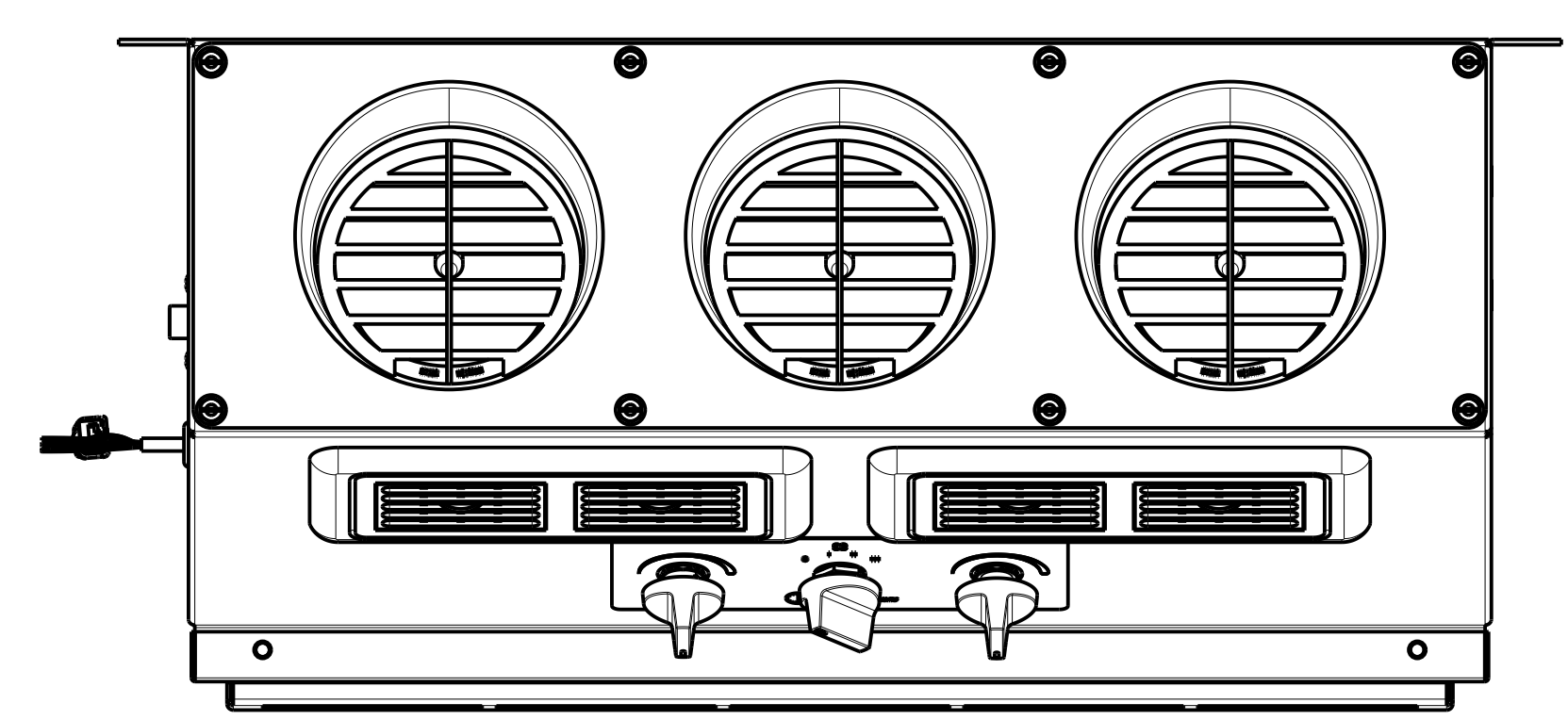
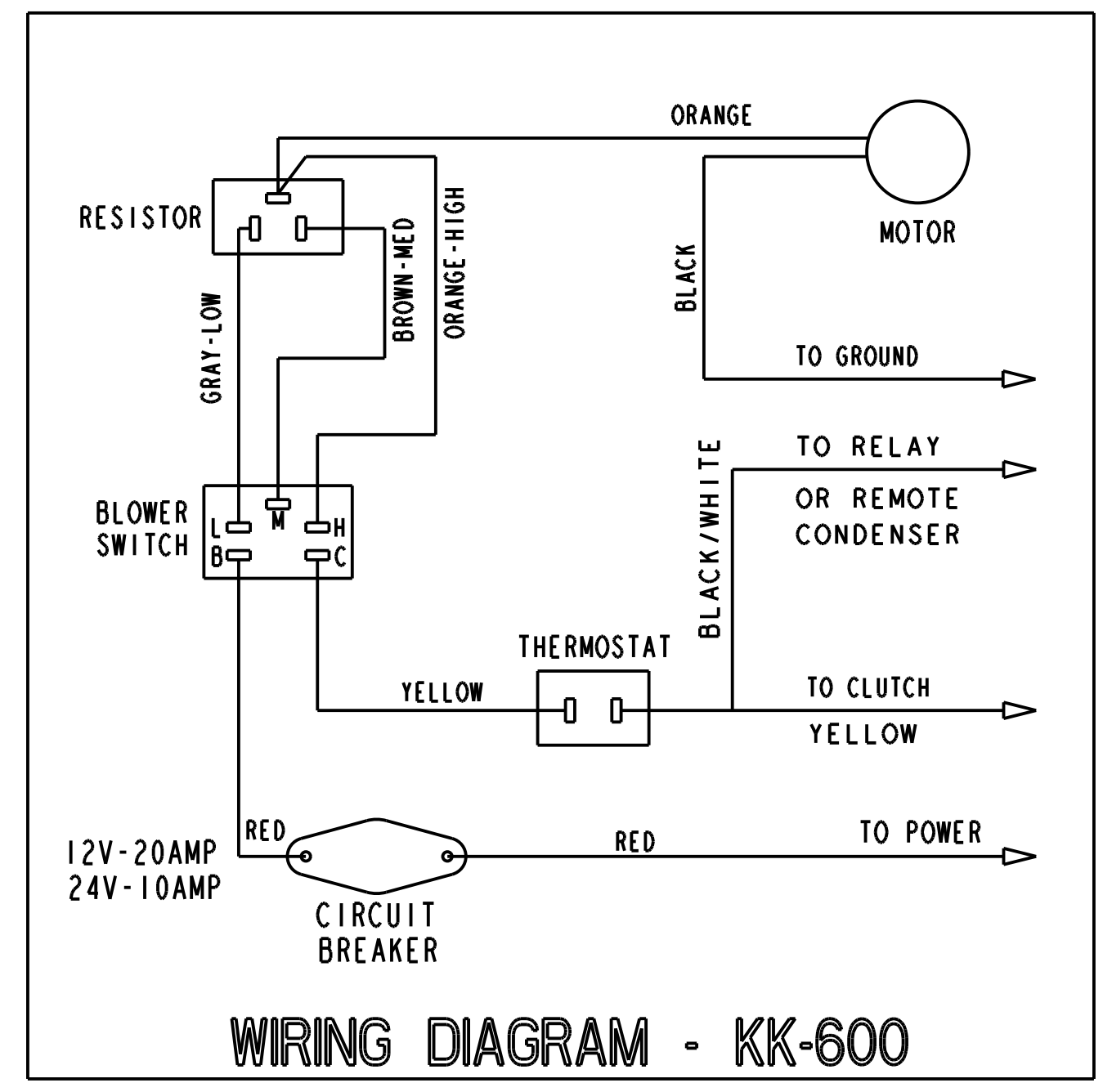
NOTES:
 1. RECIRCULATION FILTER AND FRAME ARE AN OPTION ONLY AND ARE NOT SUPPLIED WITH UNIT.

METRIC		UNLESS OTHERWISE SPECIFIED, ALL DIMENSIONS ARE IN MILLIMETERS SURFACE FINISH IN MICROMETERS, SEE UNSPECIFIED TOLERANCES:	
DIMENSIONS WITHOUT TOL. ARE REFERENCE		MACHINED SURFACE FINISH: $\sqrt{3.2}$	
THIRD ANGLE PROJECTION		GEOMETRIC DIMENSIONING AND TOLERANCING PRACTICES SHALL CONFORM TO BERGSTROM DRAWING STANDARDS	
PROPERTY OF BERGSTROM INC.		1	
1000258387		2 OF 3	

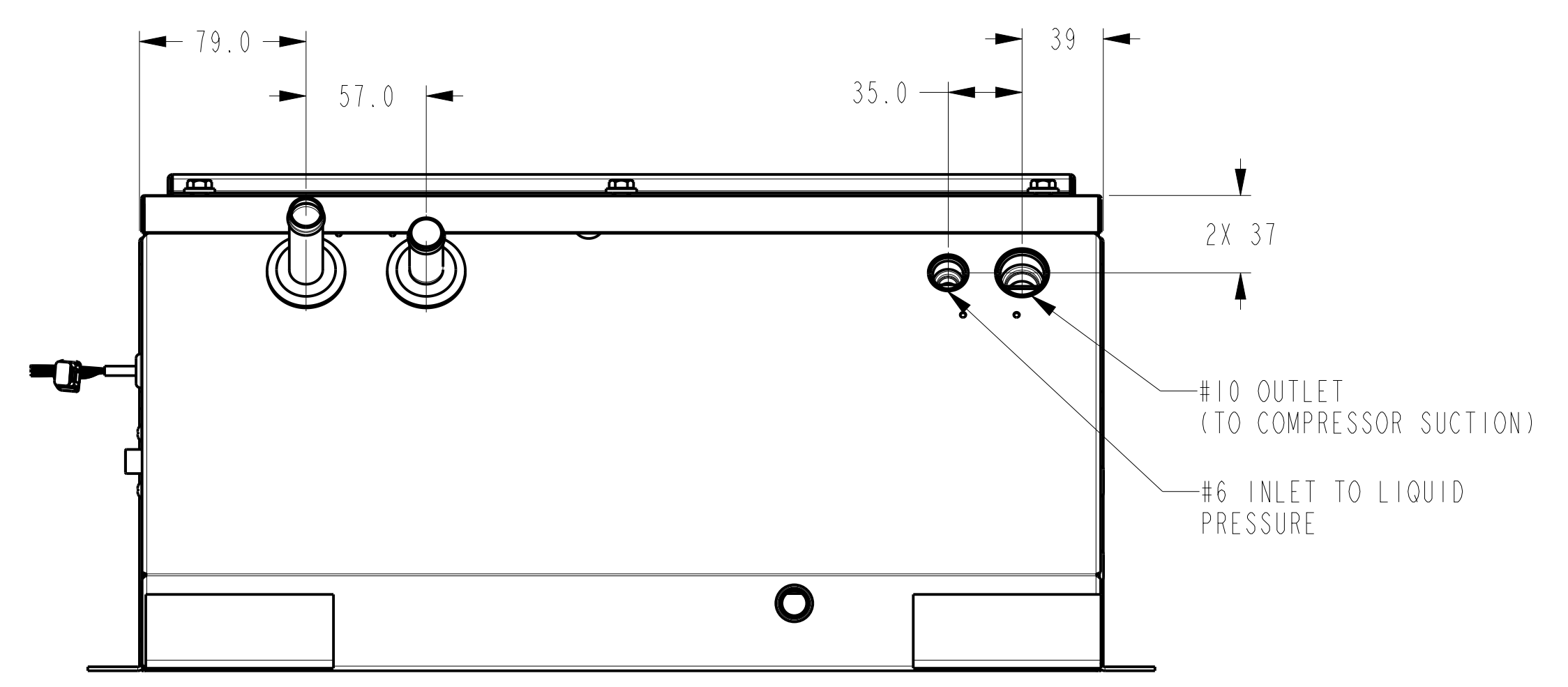
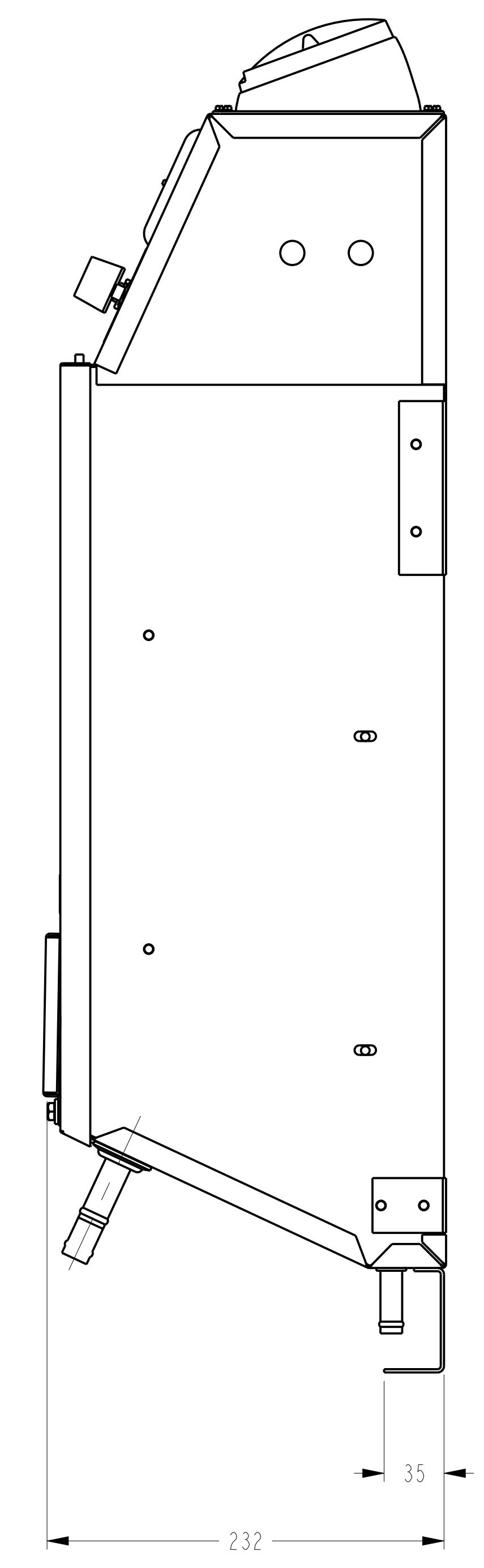
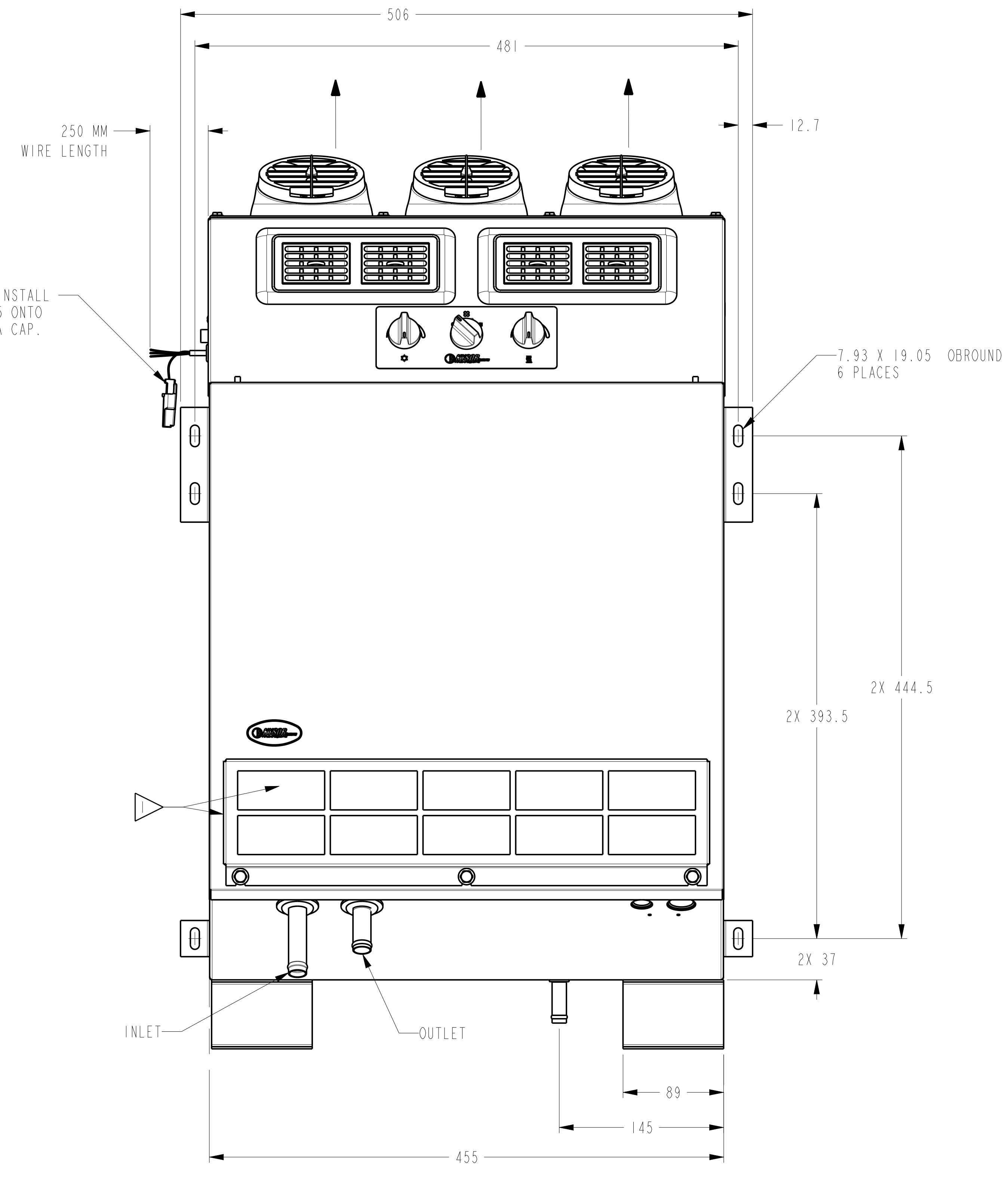
SERVICE		CUSTOMER REV	
N/A		N/A	
Released		Pro/E	
SEE BOM		103278	
Paromesh MK		26MAR2012	
26MAR2012		26MAR2012	
USA		AD	
1000258387		2:5	
1000258387		2 OF 3	

AC PERFORMANCE TABLE	
CAPACITY	5.6 Kw (19,000 BTU/hr)
AIR FLOW	595 SCMH (350 SCFM)
MAX. POWER REQUIRED	6.0 AMPS @ 28 V.

HEATER PERFORMANCE TABLE	
CAPACITY	12.0 Kw (41,100 BTU/hr)
AIR FLOW	560 SCMH (330 SCFM)
COOLANT FLOW	1500 LPM (2.7 GPM)



MALE CONNECTOR P/N B220386. INSTALL FEMALE CONNECTOR P/N B220375 ONTO MALE CONNECTOR TO SERVE AS A CAP.



NOTES:
1. RECIRCULATION FILTER AND FRAME ARE AN OPTION ONLY AND ARE NOT SUPPLIED WITH UNIT.

METRIC		INSTALLATION	
UNLESS OTHERWISE SPECIFIED, ALL DIMENSIONS ARE IN MILLIMETRES SURFACE FINISH IN MICROMETRES. 2. UNspecified TOLERANCES:		Released	
CREATED BY: Paromesh MK	LAST MODIFIED BY: Paromesh MK	PROJECT NUMBER: 103278	REV NUMBER: 103278H
CREATED ON: 26MAR2012	LAST MODIFIED ON: 26MAR2012	CUSTOMER: N/A	CUSTOMER REF NO: N/A
DIMENSIONS WITHOUT TOL. ARE REFERENCE		THE INFORMATION HEREON IS CONFIDENTIAL AND PROPRIETARY PROPERTY OF BERGSTROM INC. AND/OR ITS SUBSIDIARIES. ANY USE, EXCEPT THAT FOR WHICH IT MAY BE LOANED, IS PROHIBITED.	ENGRG CONTROL: USA
MACHINED SURFACE FINISH: 4.3		PROPERTY OF BERGSTROM INC.	DRAWING SCALE: 2:5
THIRD ANGLE PROJECTION		REVISION: 1	PART NUMBER: 1000258387