



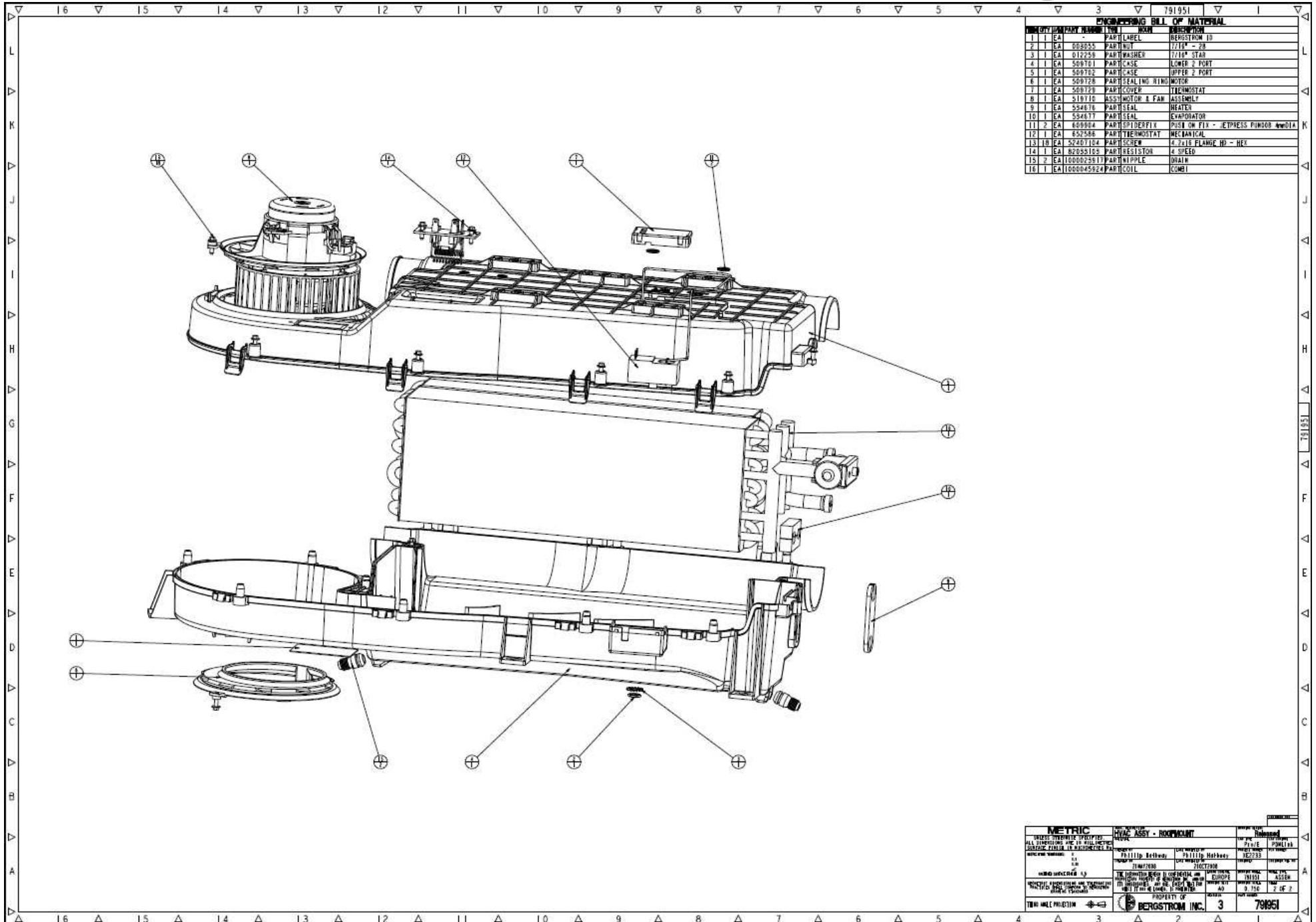
Bergstrom
Climate Control Systems

KK-700
Kombo 12V
3399016 / 791951

October 25, 2011

KK-700

KYSOR # 3399016 / BERGSTROM # 791951



EXPLODED BILL OF MATERIAL			
QTY	UNIT	DESCRIPTION	REF
1	EA	PART LABEL	BERGSTROM ID
2	EA	PART WASH	7718* - 23
3	EA	PART WASH	7718* STAR
4	EA	PART CASE	LOWER 2 PORT
5	EA	PART CASE	UPPER 2 PORT
6	EA	PART SEALING RING	MOTOR
7	EA	PART COVER	THERMOSTAT
8	EA	ASSEMBLY	MOTOR & FAN
9	EA	PART SEAL	HEATER
10	EA	PART SEAL	EVAPORATOR
11	EA	PART SPIDER FIX	PUSH ON FIX - JETPRESS FUMIGOS 400014
12	EA	PART THERMOSTAT	MECHANICAL
13	EA	PART COVER	2.115 FLANGE HD - HEX
14	EA	PART RESISTOR	4 SPEED
15	EA	PART NIPPLE	DRAIN
16	EA	PART COIL	COIL

METRIC		IMPERIAL	
UNLESS OTHERWISE SPECIFIED:	ALL DIMENSIONS ARE IN MILLIMETERS	UNLESS OTHERWISE SPECIFIED:	ALL DIMENSIONS ARE IN INCHES
FRONT VIEW	RIGHT SIDE	FRONT VIEW	RIGHT SIDE
TOP VIEW	LEFT SIDE	TOP VIEW	LEFT SIDE
BACK VIEW	RIGHT SIDE	BACK VIEW	RIGHT SIDE
LEFT SIDE	FRONT VIEW	LEFT SIDE	FRONT VIEW
RIGHT SIDE	BACK VIEW	RIGHT SIDE	BACK VIEW
PROPERTY OF	BERGSTROM INC.	PROPERTY OF	BERGSTROM INC.
3	791951	3	791951

KK-700

KYSOR # 3399016 / BERGSTROM # 791951

