

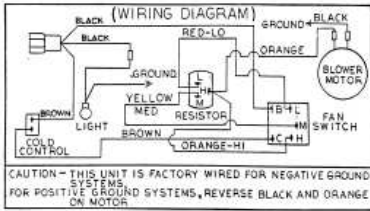
HVAC Systems for Commercial Vehicles...

Products that Perform.

***Exploded View
Proprietary Drawings
MiniBrute - Gray***



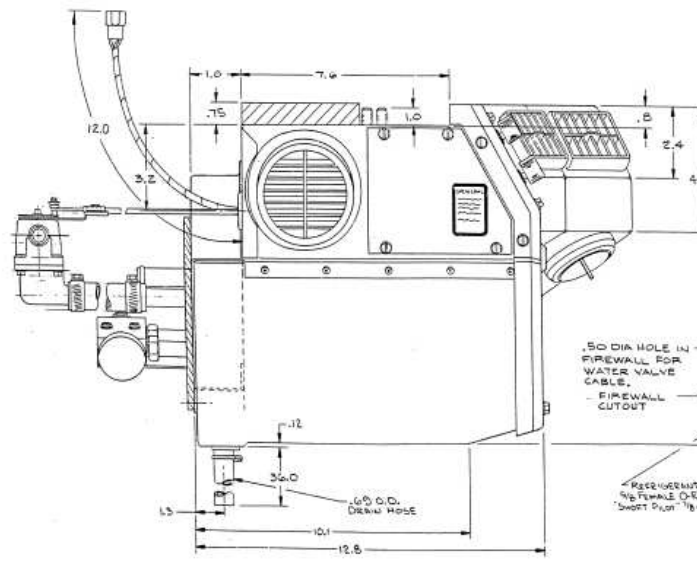
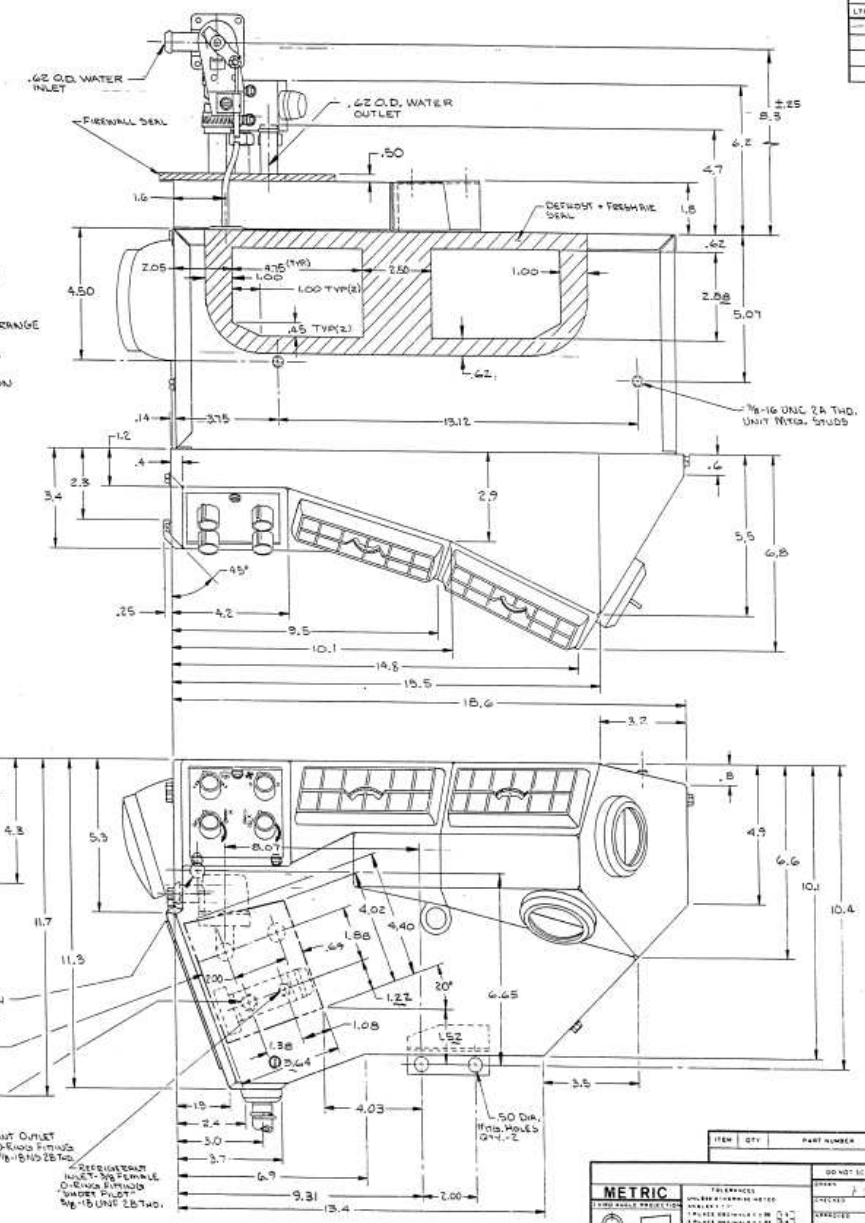
934161 • MiniBrute - Gray



NOTES:

1. Nominal Performance At 14.0 Volts:
 Heating: 27,500 ± 1000 BTU/HR AT 30 LBS./MIN. FLOW, 150°F. TEMP. DIFFERENTIAL AND O.M. W.G.
 Cooling: 11,000 ± 500 BTU/HR AT 80°F DB/67°F WB, 25 PSIG EVAPORATOR SUCTION PRESSURE,
 150°F LIQUID ENTERING THE EXPANSION VALVE, AND O.M. W.G.
 AIR FLOW: 225 ± 15 SCFM
 POWER: 19.0 ± 1.5 AMPS
2. UNIT FACTORY WIRED FOR NEGATIVE GROUND VEHICLES. FOR POSITIVE GROUND VEHICLES, CONNECT ORANGE LEAD OF MOTOR TO GROUND.
3. CONTROL PANEL LOCATION, IDENTIFICATION, AND ILLUMINATION IN ACCORDANCE WITH FMVSS 101.
4. UNIT FLAMMABILITY MEETS FMVSS 302.
5. ALL WIRING TO BE 14 GAUGE STRANDED WITH 125°C. 5XL CROSSLINKED POLYETHYLENE INSULATION PER SAE J878.
6. UNIT WIRING DIAGRAM LOCATED BEHIND COVER.
7. HEATER HOSE TO BE SILICONE TYPE PER SAE J20 PART III CLASS A WITH LINED STAINLESS STEEL CLAMPS.

REVISIONS					
LTN	DESCRIPTION	ECO	DATE	BY	CHK
1	RELEASED TO PRODUCTION	742	8/8	RS	72



ITEM	QTY	PART NUMBER	DESCRIPTION																								
PARTS LIST																											
<table border="1"> <tr> <td>METRIC</td> <td>DO NOT SCALE DRAWING</td> <td>KYSOR Byron</td> <td>BYRON ILLINOIS 61802</td> </tr> <tr> <td>UNLESS OTHERWISE SPECIFIED</td> <td>DATE</td> <td>DATE</td> <td>DATE</td> </tr> <tr> <td>STRENGTH</td> <td>DATE</td> <td>DATE</td> <td>DATE</td> </tr> <tr> <td>FINISH</td> <td>DATE</td> <td>DATE</td> <td>DATE</td> </tr> <tr> <td>TEMPERATURE</td> <td>DATE</td> <td>DATE</td> <td>DATE</td> </tr> <tr> <td>STRESS</td> <td>DATE</td> <td>DATE</td> <td>DATE</td> </tr> </table>				METRIC	DO NOT SCALE DRAWING	KYSOR Byron	BYRON ILLINOIS 61802	UNLESS OTHERWISE SPECIFIED	DATE	DATE	DATE	STRENGTH	DATE	DATE	DATE	FINISH	DATE	DATE	DATE	TEMPERATURE	DATE	DATE	DATE	STRESS	DATE	DATE	DATE
METRIC	DO NOT SCALE DRAWING	KYSOR Byron	BYRON ILLINOIS 61802																								
UNLESS OTHERWISE SPECIFIED	DATE	DATE	DATE																								
STRENGTH	DATE	DATE	DATE																								
FINISH	DATE	DATE	DATE																								
TEMPERATURE	DATE	DATE	DATE																								
STRESS	DATE	DATE	DATE																								
DIMENSIONAL DRAWING SIZE: 11.0 x 8.0 DATE: 8/8/72 DRAWING NO: 24234 SIZE: 4.074																											

DRAWING 934161-101