

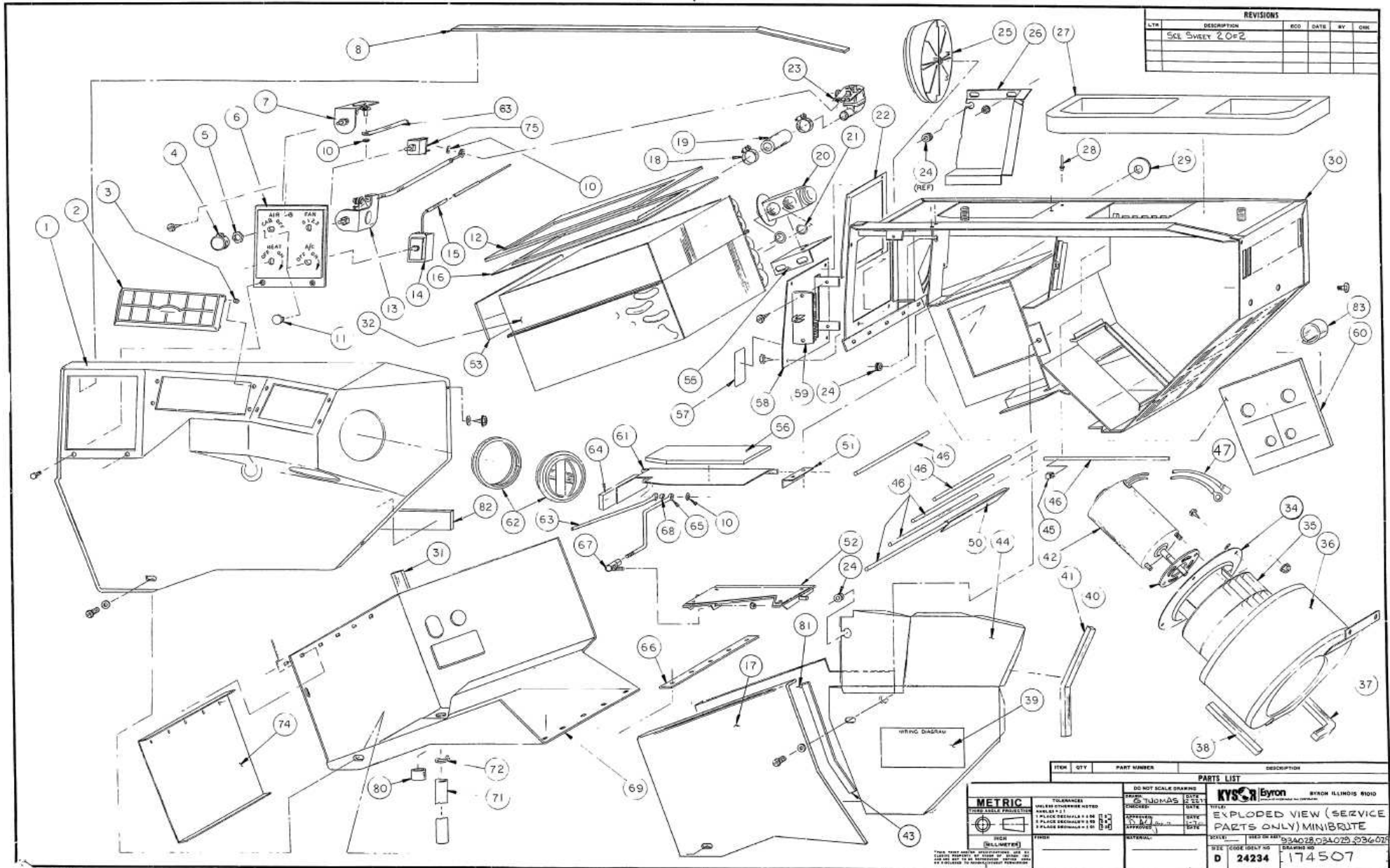
HVAC Systems for Commercial Vehicles...

Products that Perform.

***Exploded View
Proprietary Drawings
MiniBrute - Beige***



934162 • MiniBrute - Beige



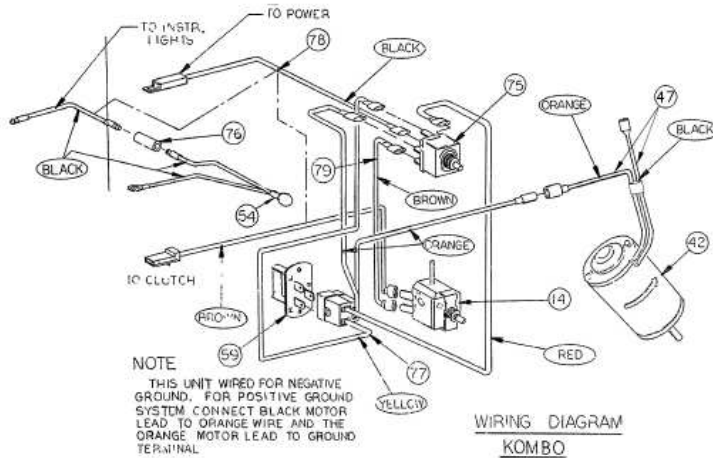
REVISIONS					
LT#	DESCRIPTION	ECO	DATE	BY	CHK
	SEE SHEET 2 OF 2				

ITEM	QTY	PART NUMBER	DESCRIPTION
PARTS LIST			
METRIC		DO NOT SCALE DRAWING	
TOLERANCES UNLESS OTHERWISE NOTED		FINISH: 25 UNIFORM	
HOLE ± .1		TEXT: 2.5	
1 PLACE DECIMAL ± .05		DATE: 03/12/02	
2 PLACE DECIMAL ± .02		DRAWN: [Signature]	
3 PLACE DECIMAL ± .01		CHECKED: [Signature]	
4 PLACE DECIMAL ± .005		APPROVED: [Signature]	
5 PLACE DECIMAL ± .002		MATERIAL: [Blank]	
FINISH: [Blank]		SCALE: [Blank]	
[Blank]		ITEM OR REV: [Blank]	
[Blank]		DRAWING NO: 934078.03A.078.036.078	
[Blank]		SEE CODE IDENT NO: D 24234	
[Blank]		174507	

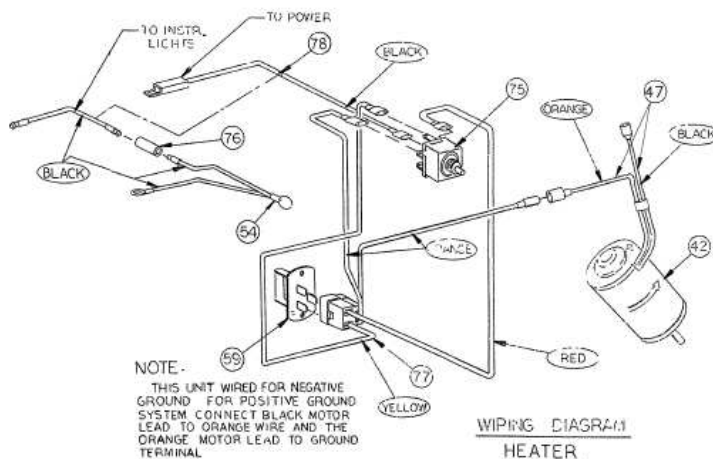
THIS DRAWING IS UNCLASSIFIED AND IS RELEASED TO THE PUBLIC IN FULL. ANY REPRODUCTION OR TRANSMISSION OF THIS INFORMATION IS UNLIMITED.

934162 • MiniBrute - Beige

NOTE:
WHEN REPLACING 275140 MOTOR MUST PURCHASE THE 222347 JUMPER WIRE



NOTE:
WHEN REPLACING 275140 MOTOR MUST PURCHASE THE 222347 JUMPER WIRE



REVISIONS					
LV#	DESCRIPTION	EO#	DATE	BY	CHK
M	REVISED & REDRAWN	742J	9/99	TJK	TJK
N	ADDED 222347 WIRE	742J	9/99	TJK	GT

934029	KOMBO R12
934162	R1344
DELETED	HEATER
KYSOR PKG NO	DESCRIPTION

ITEM	QTY	PART NO.	DESCRIPTION
1	1	36043	COVER
2	2	36023	LOUVER ASSY
3			
4	3	380076	ROTARY KNOB
5	1	203819	7/16 - 28 HEX NUT
6	1	36047	CONTROL PANEL
7	1	250089	CONTROL ASSY
8	1	350907	GASKET
9			
10	1	290012	3/16 PUSHBUT
11	1	36045	"D" PLUG
12	1	354712	AIR SEAL
13	1	250102	CONTROL ASSY
14	1	404075	THERMOSTAT SWITCH
15	1	360489	TUBING INSULATION
16	1	511027	SEAL PLATE
17	1	354711	FRONT SEAL
18	2	290273	HOSE CLAMP
19	1	323062	HEATER HOSE 4 0"
20	1	404255	EXPANSION VALVE
21	2	300442	# 8 O-RING
22	1	354701	HOLE COVER SEAL
23	1	173144	WATER VALVE
24	2	300002	GROMMET
25	1	170145	OUTLET LOUVER
26	1	510966	AIR BOX (FOR '85 AND OLDER)
27	1	354703	TOP SEAL
28	4	206057	BLACK POP RIVET
29	1	300047	.38 I.D. GROMMET
30	1	510933	CASE WELDMENT
31	1	354483	MOISTURE SEAL
32	1	400052	CORE AND COIL COMB.
33	1	280246	HEATER CORE
34	1	509424	FOIL & BRACKET WELDMENT
35	1	260570	BLMR WHEEL
36	1	510955	BL VR. WELDMENT
37	1	353406	GASKET
38	1	353432	GASKET
39	1	341300	WIRING DIAGRAM
40	1	341297	WIRING DIAGRAM
41	1	354011	MOTOR SHIM
42	1	353425	GASKET
43	1	275140	14 V MOTOR
44	1	354296	SEAL 1/8x3/8x7/4"
45	1	510936	TYPER COVER

ITEM	QTY	PART NO.	DESCRIPTION
45	1	290280	CLIP
46	6	513773	ROD
47	1	222347	WIRE, JUMPER
48			
49			
50	6	300472	EXTRUSION RUBBER
51	1	510982	DEF. DOR SUPPORT
52	1	410713	CAB AIR DOOR
53	1	354714	CORE SEAL
54	1	221218	LIGHT HARNESS
55	1	510953	VALVE SUB (FOR '85 AND OLDER)
56	1	354707	DEF. DOR GASKET
57	1	341296	VENT DECAL
58	1	510963	HOLE COVER WELDMENT
59	1	220990	RESISTOR
60	1	354705	FIRE WALL SEAL
61	1	510969	DEF. DOR WELDMENT
62	2	360448	BALL LOUVER
63	1	208348	ROD CONNECTING
64	1	352820	GASKET
65	1	208351	CAB DOOR LINK ROD
66	1	510985	RIVET PLATE (FOR '85+ OLDER)
67	1	208352	NO. 10-32 BALL JOINT
68	1	204002	FIBER SPACER
69	1	360446	DRAIN PAN
70			
71	1	300230	DRAIN HOSE
72	1	290227	1/2 HOSE CLAMP
73			
74	1	510961	CORE SUP. WELDMENT
75	1	220635	FAN SWITCH
76	1	220265	WIRE CONNECTOR
77	1	221207	WIRE HARNESS
78	1	221208	WIRE HARNESS
79	1	221209	WIRE HARNESS
80	1	221217	BRN. WIRE ASSY
81	1	362232	TUBE LAP
82	1	511026	FRONT SEAL PLATE
83	1	350907	GASKET
84	1	011133	CAULKING COMPOUND

DO NOT SCALE DRAWING

METRIC (MILLIMETERS)

UNLESS OTHERWISE NOTED

1 PLS. USE DECIMALS TO 2 PLACES

2 PLS. USE DECIMALS TO 3 PLACES

3 PLS. USE DECIMALS TO 4 PLACES

DATE: 09/99

BY: TJK

CHK: GT

KYSOR Byron BYRON ILLINOIS 61010

EXPLODED VIEW (SERVICE PARTS ONLY) MINIBRUTE

DATE: 09/99

BY: TJK

CHK: GT

SIZE: D 24234

DRAWING NO: 174507

SCALE: 1:1

REV: C

