

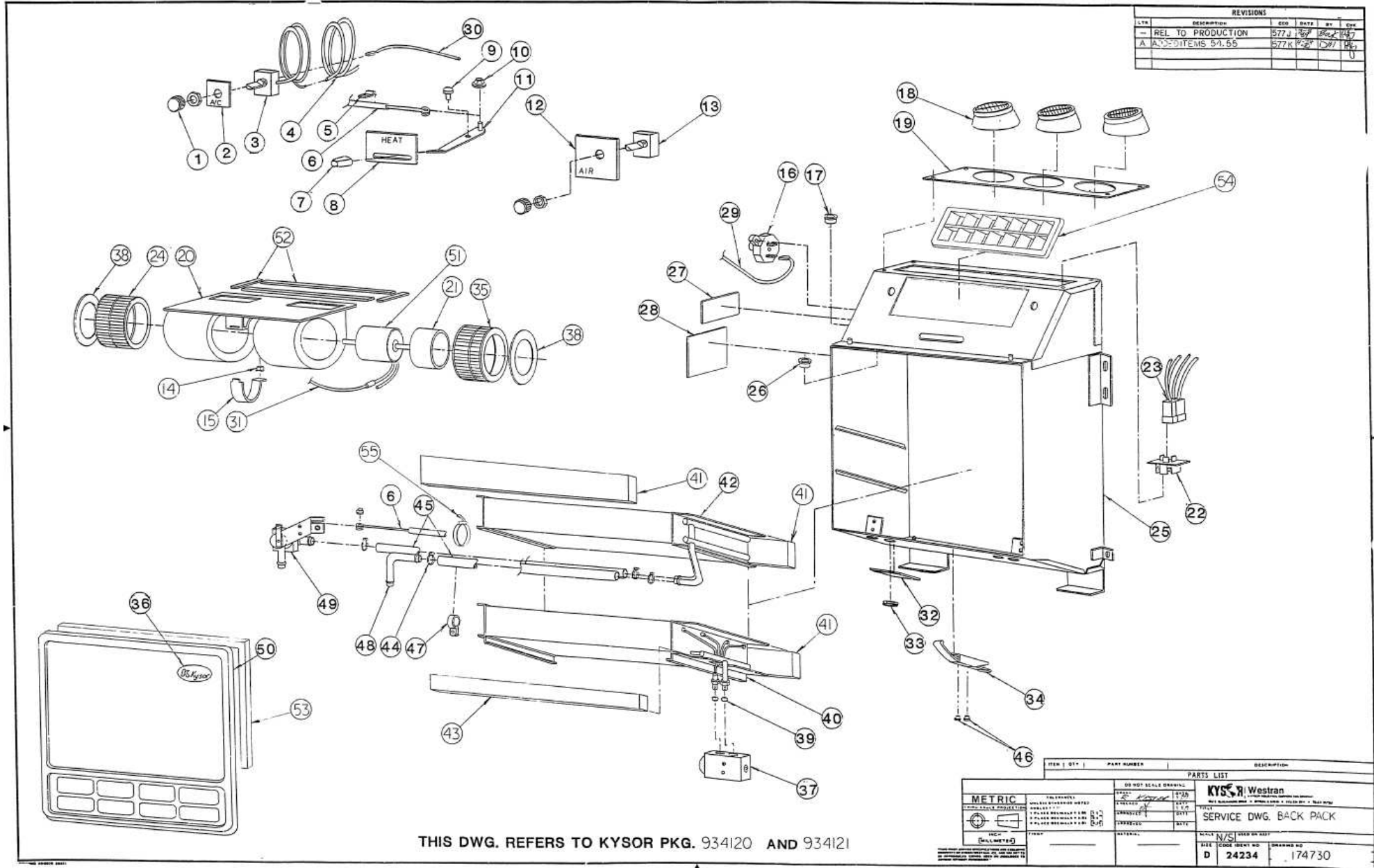
HVAC Systems for Commercial Vehicles...

Products that Perform.

***Exploded View
Proprietary Drawings
Backpak Kombo***



934169 - 934170 • Backpack Kombo (continued)



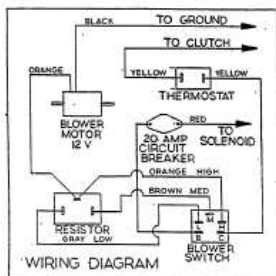
REVISIONS				
LTA	DESCRIPTION	EDD	DATE	BY
-	REL TO PRODUCTION	577 J	1987	1/14/87
A	ADD 5 ITEMS 54, 55	577 K	1987	1/28/87

THIS DWG. REFERS TO KYSOR PKG. 934120 AND 934121

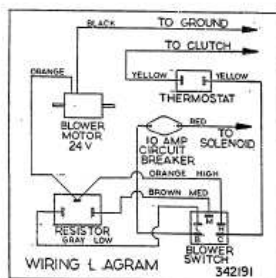
ITEM		QTY	PART NUMBER	DESCRIPTION
PARTS LIST				
DO NOT SCALE DRAWING				
METRIC		KYSOR Westran		
UNITS		SERVICES DWG. BACK PACK		
FILE CODE		D 24234		
DRAWING NO		174730		

934169 - 934170 • Backpack Kombo (continued)

REVISIONS					
LT#	DESCRIPTION	EDD	DATE	BY	CHK
-	REL TO PRODUCTION	577J	3/88	PKG	UP
A	SEE SHEET 1	577K	7/87	IDA	PKG
B	ADDED 12VW PART #342191	577L	2/88	CPK	UP



WIRING DIAGRAM 12 V.



WIRING DIAGRAM 24 V.

934170	BACK PACK, 24 VOLT	934121
934169	BACK PACK, 12 VOLT	934120
PART NO.	DESCRIPTION	PKG.

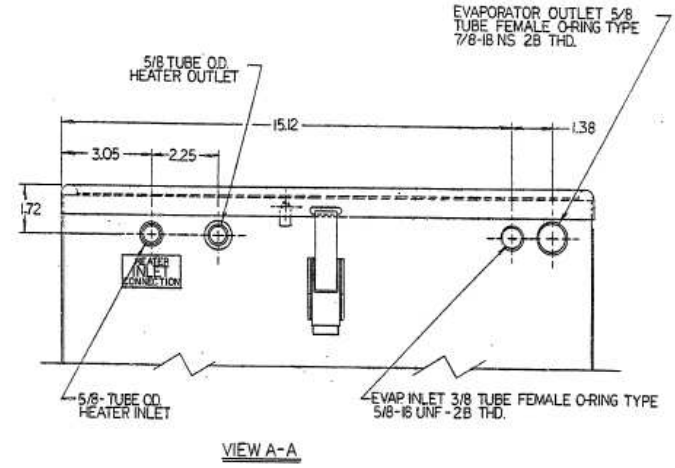
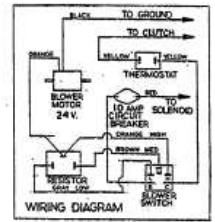
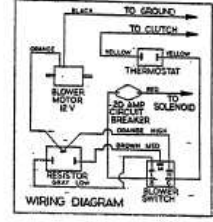
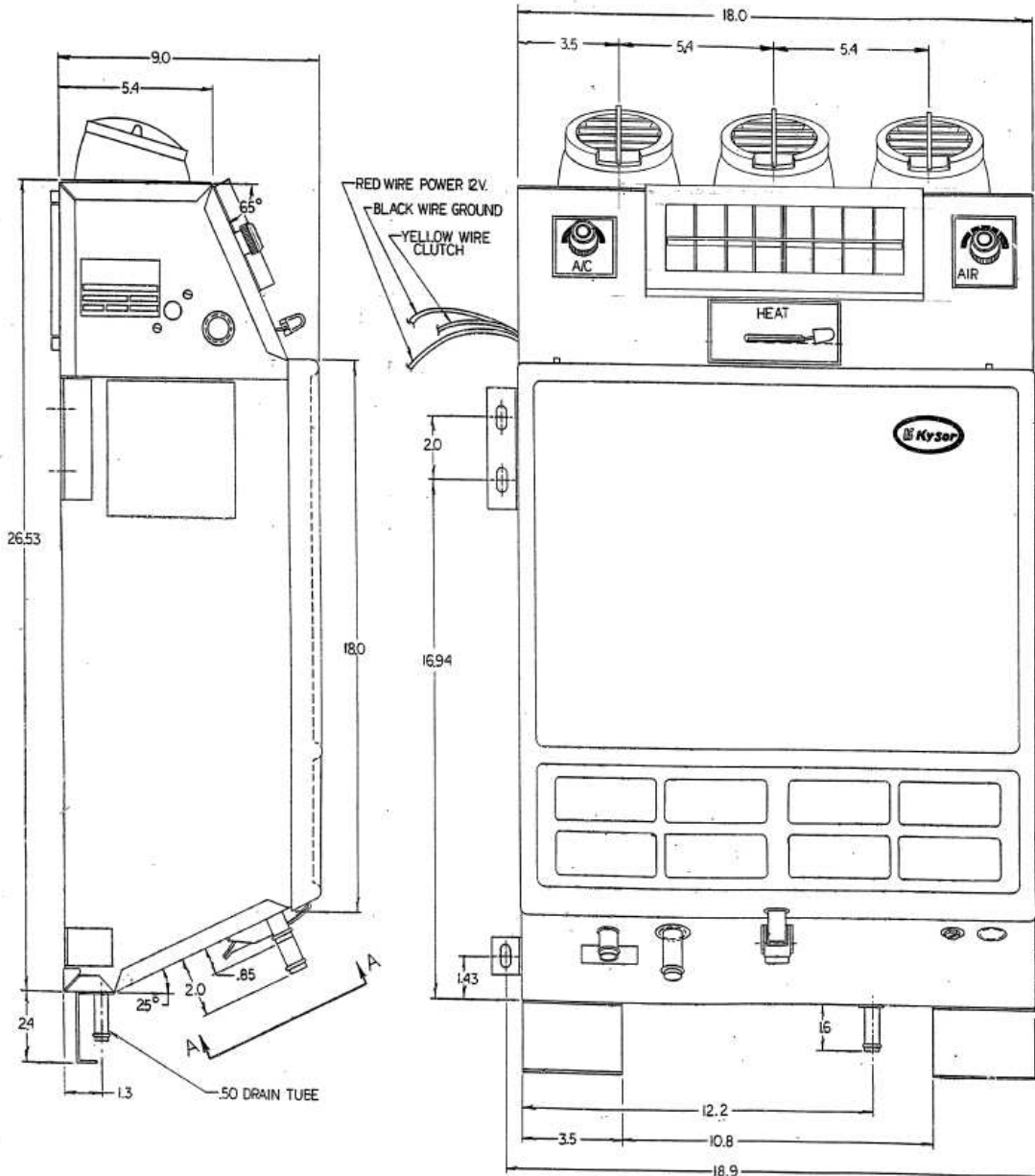
ITEM	QTY	PART NUMBER	DESCRIPTION
29	1	221791	WIRE ASSY. - RED
30	1	222388	WIRE ASSY. - YELLOW
31	1	222390	WIRE ASSY. - BLACK
32	1	341180	DECAL, HEATER INLET
33	1	300054	GRIDHET
34	1	208344	LATCH
35	1	260170	BLOWER WHEEL 4.5x4.0
36	1	341746	DECAL, LOGO
37	1	404255	BLOCK VALVE
38	2	511845	FOIL
39	2	300442	#8 O-RING
40	1	400105	EVAPORATOR COIL
41	4.44ft	858810	URE. 3.0x1.0 (3) 17.75
42	1	290306	HEATER CORE
43	1.48ft	353727	URE. 1.0 x 1.0 (1)17.75
44	4	290214	CLAMP, ROSE
45	2.0ft	320000	HOSE (1)11.0 (1)13.0
46	2	206015	RIVET
47	1	230084	CLAMP, HOSE
48	1	330251	TUBE 90°
49	1	173114	WATER VALVE
50	1	514179	COVER
51	1	275152	MOTOR 12 VOLT
51	1	275252	MOTOR 24 VOLT
52	3.07 FT.	352700	URE 25 x 50 (2) 2.4" (2) 16.0"
53	3.54 FT.	351400	NEOPRENE .50 X .50 X .42.5"
54	1	360289	LOUVER
55	1	360H3	TIE

ITEM	QTY	PART NUMBER	DESCRIPTION
1	2	380064	KNOS - ROTARY
2	1	341744	DECAL, COOL
3	1	404028	COLD CONTROL
4	2.5ft	360243	TUBING (1) 30.0
5	1	290247	CLAMP, CABLE
6	1	243050	CABLE
7	1	380053	KNOS LEVER
8	1	341743	DECAL, HEAT
9	1	360274	SPEED FASTENER
10	2	290012	PUSH NUT 3/16
11	1	509918	LEVER WLDT.
12	1	341745	DECAL, AIR
13	1	220635	SWITCH, FAN
14	1	203300	CAGE NUT
15	1	607920	STRAP
16	1	221523	BREAKER, 20 AMP.
17	1	221841	BREAKER 10 AMP
18	3	360435	BUSHING 7/8
19	1	170145	LOUVER
20	1	814697	ACCESS COVER
21	1	612444	BLOWER WLDT
22	1	800242	MOTOR INSULATOR
23	1	220990	RESISTOR, 12 VOLT
24	1	221670	RESISTOR, 24 VOLT
25	1	222389	WIRE HARNESS
26	1	260171	BLOWER WHEEL 4.5x4.0
27	1	814698	CASE WLDT.
28	1	360533	BUSHING 3/4
29	1	340958	I.D. PLATE
30	1	342180	DECAL, WIRING 12VOLT
31	1	342191	DECAL, WIRING 24VOLT

METRIC FIRST ANGLE PROJECTION 	TOLERANCES DIMENSIONS UNLESS NOTED ANGLES ± 1° HOLE DECIMALS ± .01 PLATE DECIMALS ± .005 FINISH DECIMALS ± .005	DO NOT SCALE DRAWING DIMENSIONS SHOWN IN PARENTHESES UNLESS NOTED OTHERWISE DIMENSIONS IN PARENTHESES ARE IN INCHES DIMENSIONS NOT IN PARENTHESES ARE IN MILLIMETERS	KYSOR Westran SERVICE DWG. BACK PACK SCALE: N/S SHEET NO. 174730 D 24234
	DATE: 1/88 DRAWN BY: [Signature] CHECKED BY: [Signature]	DATE: 1/88 DRAWN BY: [Signature] CHECKED BY: [Signature]	DATE: 1/88 DRAWN BY: [Signature] CHECKED BY: [Signature]

934169 - 934170 • Backpack Kombo (continued)

REVISIONS					
LTN	DESCRIPTION	ISS	DATE	BY	CHK
	REL TO PROD.	5771	5/77	WJL	WJL
A	ADDED 134a, Pkg #2	5771	5/77	WJL	WJL



THIS DRAWING REFERS TO KYSOR PACKAGE 934169, 934170 (R134 a)
 934120, 934121 (R12)

ITEM	QTY	PART NUMBER	DESCRIPTION							
PARTS LIST										
<table border="0"> <tr> <td rowspan="2"> METRIC (MILLIMETER) </td> <td> TELEPHONE: 800-854-7827 1-800-854-7827 </td> <td> DATE: 5/77 5/77 </td> <td rowspan="2"> KYSOR Westran DIMENSIONAL DRAWING BACK PACK </td> </tr> <tr> <td> TOLERANCES: UNLESS OTHERWISE NOTED DIMENSIONS: UNLESS OTHERWISE NOTED FINISH: UNLESS OTHERWISE NOTED </td> <td> DRAWN BY: WJL CHECKED BY: WJL APPROVED BY: WJL </td> <td> SCALE: 1/2" = 1" SHEET NO: 2 OF 2 </td> </tr> </table>				METRIC (MILLIMETER)	TELEPHONE: 800-854-7827 1-800-854-7827	DATE: 5/77 5/77	KYSOR Westran DIMENSIONAL DRAWING BACK PACK	TOLERANCES: UNLESS OTHERWISE NOTED DIMENSIONS: UNLESS OTHERWISE NOTED FINISH: UNLESS OTHERWISE NOTED	DRAWN BY: WJL CHECKED BY: WJL APPROVED BY: WJL	SCALE: 1/2" = 1" SHEET NO: 2 OF 2
METRIC (MILLIMETER)	TELEPHONE: 800-854-7827 1-800-854-7827	DATE: 5/77 5/77	KYSOR Westran DIMENSIONAL DRAWING BACK PACK							
	TOLERANCES: UNLESS OTHERWISE NOTED DIMENSIONS: UNLESS OTHERWISE NOTED FINISH: UNLESS OTHERWISE NOTED	DRAWN BY: WJL CHECKED BY: WJL APPROVED BY: WJL		SCALE: 1/2" = 1" SHEET NO: 2 OF 2						
SIZE: D CODE: 24234		SHEET NO: 342341								