

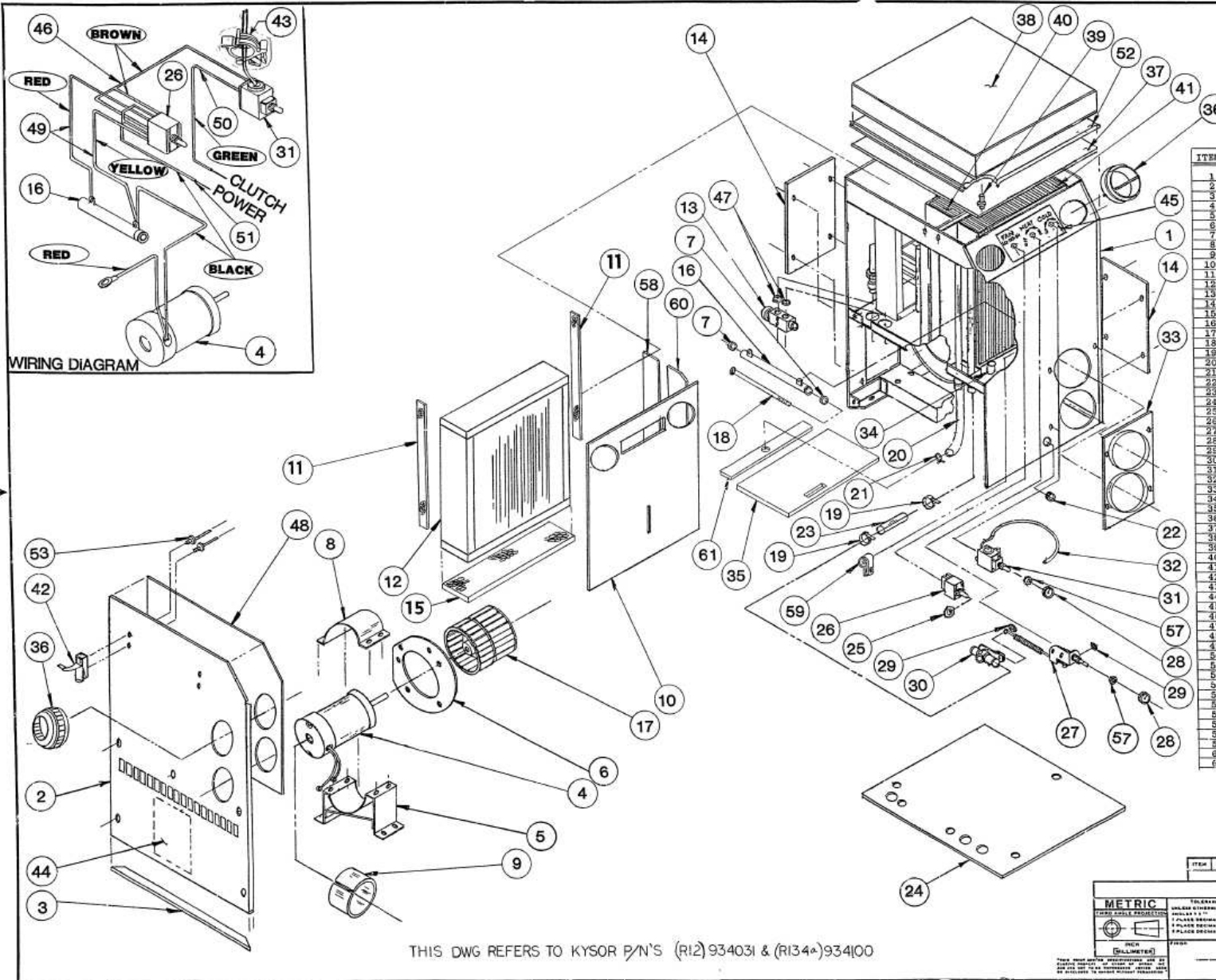
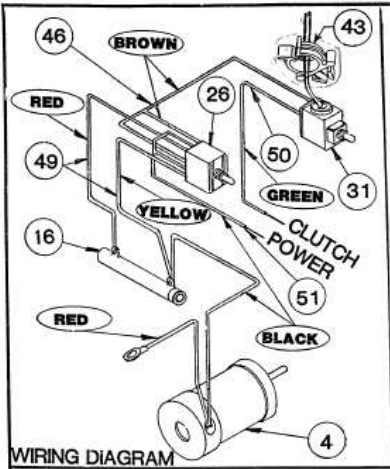
HVAC Systems for Commercial Vehicles...

Products that Perform.

***Exploded View
Proprietary Drawings
Jumpseat Kombo***



938100 - 938101 • Jumpseat Kombo



REVISIONS					
REV	DESCRIPTION	ECO	DATE	BY	CHK
D	REDRAWN & REVISED	8218	6/81	DL	C.H.T.
E	REVISED BILL OF MATERIAL	8228	12/80	DL	DL
F	REVISED PARTS LIST	8238	12/80	DL	DL
G	REVISED PARTS LIST	8248	12/80	DL	DL
H	584060 WAS B290273	8259	12/06	DAG	M.E.

ITEM	QTY	PART NUMBER	DESCRIPTION
1	1	B511583	CASE WELDMENT
2	1	B511615	COVER-FRONT
3	1	B354742	SEAL-COVER
4	1	B274269	MOTOR-24 VOLT
5	1	B511616	WELDMENT-MOTOR MTG.
6	1	B511663	COIL PLATE
7	2	B202740	WASHER CENTERING .75 O.D.x.19 I.D.
8	1	B511612	CLAMP-MOTOR
9	1	B354750	GASKET-MOTOR
10	1	B354804	INSULATION-CASE
11	1	B354801	FELT .12 X .5 2211.5
12	1	B407161	FILTER
13	1	B442555	VALVE-EXPANSION BLOCK
14	2	B511613	PLATE-COVER
15	1	B353780	LEE .75 - .75 X 20 X 9.75
16	1	B210728	RADIATOR 100 WATT
17	1	B206080	BLOWER WHEEL
18	1	B201938	BOLT RD HD -SLOTTED 10-32x7 0 LG.
19	2	B404950	CLAMP-ROSE (SILICONE ROSE)
20	1	B330406	ROSE-DRAIN
21	1	B250227	CLAMP-ROSE
22	1	B204203	BUSHING
23	1	B323046	ROSE-SILICONE 3 00 LG.
24	1	B354740	SEAL CASE-BOTTOM
25	1	B203705	NUT-SWITCH
26	1	B221189	SWITCH-POGGLE
27	1	B250100	CONTROL ASSY.
28	2	B380032	KNOB-ROTY INDICATING
29	2	B250012	PUSHBUT PAL
30	1	B173048	VALVE-WATER
31	1	B406028	TERMOSTAT
32	1	B300430	TUBING-INSULATION-30.0 IN
33	1	B511618	WELDMENT-FRESH AIR
34	1	B320054	ROSE-WATER -R25 I.D 1.75 LG
35	1	B154845	INSULATION-CASE DIVIDER
36	6	B390448	BALL-LOUVER
37	1	B364738	BALL-POP COVER
38	1	B407163	SPAT
39	8	B206064	RIVET
40	1	B400069	COIL
41	1	B280257	CORE
42			
43	1	B290372	CLIP-CABLE
44	1	B341514	DECAL-WIRING DIAGRAM
45	1	B341516	DECAL-CONTROL
46	1	B221430	WIRE ASSEMBLY
47	2	B330442	O-RING 1/2" O.D.
48	1	B354744	INSULATION COVER
49	1	B221420	WIRE ASSEMBLY
50	1	B221432	WIRE ASSEMBLY
51	1	B221423	WIRE ASSEMBLY
52	1	B511614	COVER-POP
53	4	B206015	RIVET-POP
54			
55			
56			
57	2	B203819	NUT 7/16-28
58	1	B354752	FELT P8 .12 X 3.0 X 12.0
59	2	B290249	CLAMP
60	1	B354805	INSULATION
61	1	B354846	INSULATION-BASE DIVIDER

THIS DWG REFERS TO KYSOR P/N'S (R12)934031 & (R134A)934100

PARTS LIST

METRIC	TELEVISIONS	DO NOT SCALE DRAWING	BYRON
THIRD ANGLE PROJECTION	UNLESS OTHERWISE NOTED	SCALE: 1:1	KYSOR Byron BYRON, ILLINOIS 61808
ALL DIMENSIONS IN MILLIMETERS	UNLESS OTHERWISE NOTED	DATE: 12/06	EXPLODED VIEW KOMBO HARDHAT JUMPSEAT
ALL DIMENSIONS IN INCHES	UNLESS OTHERWISE NOTED	DATE: 12/06	REV: 1
ALL DIMENSIONS IN MILLIMETERS	UNLESS OTHERWISE NOTED	DATE: 12/06	REV: 2
ALL DIMENSIONS IN INCHES	UNLESS OTHERWISE NOTED	DATE: 12/06	REV: 3
ALL DIMENSIONS IN MILLIMETERS	UNLESS OTHERWISE NOTED	DATE: 12/06	REV: 4
ALL DIMENSIONS IN INCHES	UNLESS OTHERWISE NOTED	DATE: 12/06	REV: 5
ALL DIMENSIONS IN MILLIMETERS	UNLESS OTHERWISE NOTED	DATE: 12/06	REV: 6
ALL DIMENSIONS IN INCHES	UNLESS OTHERWISE NOTED	DATE: 12/06	REV: 7
ALL DIMENSIONS IN MILLIMETERS	UNLESS OTHERWISE NOTED	DATE: 12/06	REV: 8
ALL DIMENSIONS IN INCHES	UNLESS OTHERWISE NOTED	DATE: 12/06	REV: 9
ALL DIMENSIONS IN MILLIMETERS	UNLESS OTHERWISE NOTED	DATE: 12/06	REV: 10
ALL DIMENSIONS IN INCHES	UNLESS OTHERWISE NOTED	DATE: 12/06	REV: 11
ALL DIMENSIONS IN MILLIMETERS	UNLESS OTHERWISE NOTED	DATE: 12/06	REV: 12
ALL DIMENSIONS IN INCHES	UNLESS OTHERWISE NOTED	DATE: 12/06	REV: 13
ALL DIMENSIONS IN MILLIMETERS	UNLESS OTHERWISE NOTED	DATE: 12/06	REV: 14
ALL DIMENSIONS IN INCHES	UNLESS OTHERWISE NOTED	DATE: 12/06	REV: 15
ALL DIMENSIONS IN MILLIMETERS	UNLESS OTHERWISE NOTED	DATE: 12/06	REV: 16
ALL DIMENSIONS IN INCHES	UNLESS OTHERWISE NOTED	DATE: 12/06	REV: 17
ALL DIMENSIONS IN MILLIMETERS	UNLESS OTHERWISE NOTED	DATE: 12/06	REV: 18
ALL DIMENSIONS IN INCHES	UNLESS OTHERWISE NOTED	DATE: 12/06	REV: 19
ALL DIMENSIONS IN MILLIMETERS	UNLESS OTHERWISE NOTED	DATE: 12/06	REV: 20
ALL DIMENSIONS IN INCHES	UNLESS OTHERWISE NOTED	DATE: 12/06	REV: 21
ALL DIMENSIONS IN MILLIMETERS	UNLESS OTHERWISE NOTED	DATE: 12/06	REV: 22
ALL DIMENSIONS IN INCHES	UNLESS OTHERWISE NOTED	DATE: 12/06	REV: 23
ALL DIMENSIONS IN MILLIMETERS	UNLESS OTHERWISE NOTED	DATE: 12/06	REV: 24
ALL DIMENSIONS IN INCHES	UNLESS OTHERWISE NOTED	DATE: 12/06	REV: 25
ALL DIMENSIONS IN MILLIMETERS	UNLESS OTHERWISE NOTED	DATE: 12/06	REV: 26
ALL DIMENSIONS IN INCHES	UNLESS OTHERWISE NOTED	DATE: 12/06	REV: 27
ALL DIMENSIONS IN MILLIMETERS	UNLESS OTHERWISE NOTED	DATE: 12/06	REV: 28
ALL DIMENSIONS IN INCHES	UNLESS OTHERWISE NOTED	DATE: 12/06	REV: 29
ALL DIMENSIONS IN MILLIMETERS	UNLESS OTHERWISE NOTED	DATE: 12/06	REV: 30
ALL DIMENSIONS IN INCHES	UNLESS OTHERWISE NOTED	DATE: 12/06	REV: 31
ALL DIMENSIONS IN MILLIMETERS	UNLESS OTHERWISE NOTED	DATE: 12/06	REV: 32
ALL DIMENSIONS IN INCHES	UNLESS OTHERWISE NOTED	DATE: 12/06	REV: 33
ALL DIMENSIONS IN MILLIMETERS	UNLESS OTHERWISE NOTED	DATE: 12/06	REV: 34
ALL DIMENSIONS IN INCHES	UNLESS OTHERWISE NOTED	DATE: 12/06	REV: 35
ALL DIMENSIONS IN MILLIMETERS	UNLESS OTHERWISE NOTED	DATE: 12/06	REV: 36
ALL DIMENSIONS IN INCHES	UNLESS OTHERWISE NOTED	DATE: 12/06	REV: 37
ALL DIMENSIONS IN MILLIMETERS	UNLESS OTHERWISE NOTED	DATE: 12/06	REV: 38
ALL DIMENSIONS IN INCHES	UNLESS OTHERWISE NOTED	DATE: 12/06	REV: 39
ALL DIMENSIONS IN MILLIMETERS	UNLESS OTHERWISE NOTED	DATE: 12/06	REV: 40
ALL DIMENSIONS IN INCHES	UNLESS OTHERWISE NOTED	DATE: 12/06	REV: 41
ALL DIMENSIONS IN MILLIMETERS	UNLESS OTHERWISE NOTED	DATE: 12/06	REV: 42
ALL DIMENSIONS IN INCHES	UNLESS OTHERWISE NOTED	DATE: 12/06	REV: 43
ALL DIMENSIONS IN MILLIMETERS	UNLESS OTHERWISE NOTED	DATE: 12/06	REV: 44
ALL DIMENSIONS IN INCHES	UNLESS OTHERWISE NOTED	DATE: 12/06	REV: 45
ALL DIMENSIONS IN MILLIMETERS	UNLESS OTHERWISE NOTED	DATE: 12/06	REV: 46
ALL DIMENSIONS IN INCHES	UNLESS OTHERWISE NOTED	DATE: 12/06	REV: 47
ALL DIMENSIONS IN MILLIMETERS	UNLESS OTHERWISE NOTED	DATE: 12/06	REV: 48
ALL DIMENSIONS IN INCHES	UNLESS OTHERWISE NOTED	DATE: 12/06	REV: 49
ALL DIMENSIONS IN MILLIMETERS	UNLESS OTHERWISE NOTED	DATE: 12/06	REV: 50
ALL DIMENSIONS IN INCHES	UNLESS OTHERWISE NOTED	DATE: 12/06	REV: 51
ALL DIMENSIONS IN MILLIMETERS	UNLESS OTHERWISE NOTED	DATE: 12/06	REV: 52
ALL DIMENSIONS IN INCHES	UNLESS OTHERWISE NOTED	DATE: 12/06	REV: 53
ALL DIMENSIONS IN MILLIMETERS	UNLESS OTHERWISE NOTED	DATE: 12/06	REV: 54
ALL DIMENSIONS IN INCHES	UNLESS OTHERWISE NOTED	DATE: 12/06	REV: 55
ALL DIMENSIONS IN MILLIMETERS	UNLESS OTHERWISE NOTED	DATE: 12/06	REV: 56
ALL DIMENSIONS IN INCHES	UNLESS OTHERWISE NOTED	DATE: 12/06	REV: 57
ALL DIMENSIONS IN MILLIMETERS	UNLESS OTHERWISE NOTED	DATE: 12/06	REV: 58
ALL DIMENSIONS IN INCHES	UNLESS OTHERWISE NOTED	DATE: 12/06	REV: 59
ALL DIMENSIONS IN MILLIMETERS	UNLESS OTHERWISE NOTED	DATE: 12/06	REV: 60
ALL DIMENSIONS IN INCHES	UNLESS OTHERWISE NOTED	DATE: 12/06	REV: 61
ALL DIMENSIONS IN MILLIMETERS	UNLESS OTHERWISE NOTED	DATE: 12/06	REV: 62
ALL DIMENSIONS IN INCHES	UNLESS OTHERWISE NOTED	DATE: 12/06	REV: 63
ALL DIMENSIONS IN MILLIMETERS	UNLESS OTHERWISE NOTED	DATE: 12/06	REV: 64
ALL DIMENSIONS IN INCHES	UNLESS OTHERWISE NOTED	DATE: 12/06	REV: 65
ALL DIMENSIONS IN MILLIMETERS	UNLESS OTHERWISE NOTED	DATE: 12/06	REV: 66
ALL DIMENSIONS IN INCHES	UNLESS OTHERWISE NOTED	DATE: 12/06	REV: 67
ALL DIMENSIONS IN MILLIMETERS	UNLESS OTHERWISE NOTED	DATE: 12/06	REV: 68
ALL DIMENSIONS IN INCHES	UNLESS OTHERWISE NOTED	DATE: 12/06	REV: 69
ALL DIMENSIONS IN MILLIMETERS	UNLESS OTHERWISE NOTED	DATE: 12/06	REV: 70
ALL DIMENSIONS IN INCHES	UNLESS OTHERWISE NOTED	DATE: 12/06	REV: 71
ALL DIMENSIONS IN MILLIMETERS	UNLESS OTHERWISE NOTED	DATE: 12/06	REV: 72
ALL DIMENSIONS IN INCHES	UNLESS OTHERWISE NOTED	DATE: 12/06	REV: 73
ALL DIMENSIONS IN MILLIMETERS	UNLESS OTHERWISE NOTED	DATE: 12/06	REV: 74
ALL DIMENSIONS IN INCHES	UNLESS OTHERWISE NOTED	DATE: 12/06	REV: 75
ALL DIMENSIONS IN MILLIMETERS	UNLESS OTHERWISE NOTED	DATE: 12/06	REV: 76
ALL DIMENSIONS IN INCHES	UNLESS OTHERWISE NOTED	DATE: 12/06	REV: 77
ALL DIMENSIONS IN MILLIMETERS	UNLESS OTHERWISE NOTED	DATE: 12/06	REV: 78
ALL DIMENSIONS IN INCHES	UNLESS OTHERWISE NOTED	DATE: 12/06	REV: 79
ALL DIMENSIONS IN MILLIMETERS	UNLESS OTHERWISE NOTED	DATE: 12/06	REV: 80
ALL DIMENSIONS IN INCHES	UNLESS OTHERWISE NOTED	DATE: 12/06	REV: 81
ALL DIMENSIONS IN MILLIMETERS	UNLESS OTHERWISE NOTED	DATE: 12/06	REV: 82
ALL DIMENSIONS IN INCHES	UNLESS OTHERWISE NOTED	DATE: 12/06	REV: 83
ALL DIMENSIONS IN MILLIMETERS	UNLESS OTHERWISE NOTED	DATE: 12/06	REV: 84
ALL DIMENSIONS IN INCHES	UNLESS OTHERWISE NOTED	DATE: 12/06	REV: 85
ALL DIMENSIONS IN MILLIMETERS	UNLESS OTHERWISE NOTED	DATE: 12/06	REV: 86
ALL DIMENSIONS IN INCHES	UNLESS OTHERWISE NOTED	DATE: 12/06	REV: 87
ALL DIMENSIONS IN MILLIMETERS	UNLESS OTHERWISE NOTED	DATE: 12/06	REV: 88
ALL DIMENSIONS IN INCHES	UNLESS OTHERWISE NOTED	DATE: 12/06	REV: 89
ALL DIMENSIONS IN MILLIMETERS	UNLESS OTHERWISE NOTED	DATE: 12/06	REV: 90
ALL DIMENSIONS IN INCHES	UNLESS OTHERWISE NOTED	DATE: 12/06	REV: 91
ALL DIMENSIONS IN MILLIMETERS	UNLESS OTHERWISE NOTED	DATE: 12/06	REV: 92
ALL DIMENSIONS IN INCHES	UNLESS OTHERWISE NOTED	DATE: 12/06	REV: 93
ALL DIMENSIONS IN MILLIMETERS	UNLESS OTHERWISE NOTED	DATE: 12/06	REV: 94
ALL DIMENSIONS IN INCHES	UNLESS OTHERWISE NOTED	DATE: 12/06	REV: 95
ALL DIMENSIONS IN MILLIMETERS	UNLESS OTHERWISE NOTED	DATE: 12/06	REV: 96
ALL DIMENSIONS IN INCHES	UNLESS OTHERWISE NOTED	DATE: 12/06	REV: 97
ALL DIMENSIONS IN MILLIMETERS	UNLESS OTHERWISE NOTED	DATE: 12/06	REV: 98
ALL DIMENSIONS IN INCHES	UNLESS OTHERWISE NOTED	DATE: 12/06	REV: 99
ALL DIMENSIONS IN MILLIMETERS	UNLESS OTHERWISE NOTED	DATE: 12/06	REV: 100