

HVAC Systems for Commercial Vehicles...

Products that Perform.

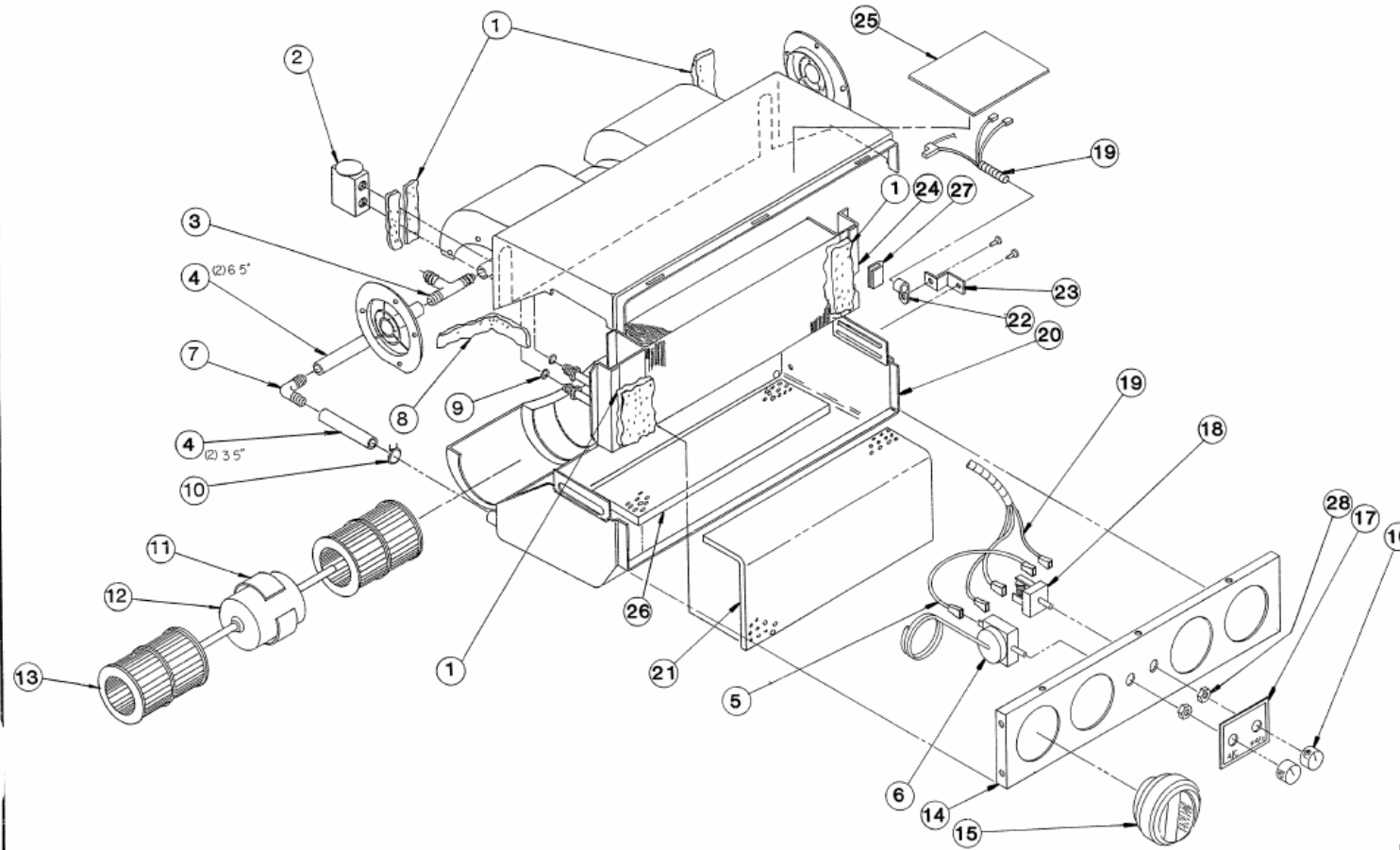
***Exploded View
Proprietary Drawings
Universal Air Conditioner***



938113 - 938118 • Universal Air Conditioner

REVISIONS					
LTN	DESCRIPTION	ECO	DATE	BY	CHK
1	REL. TO PRODUCTION	856A	5/92	JL	S.E.

PKG. NO.	DESCRIPTION
938118	24 V. EVAPORATOR
938113	12 V. EVAPORATOR



ITEM	QTY.	QTY.	PART NO.	DESCRIPTION
1	2.0	2.0	354122	SEAL - MOISTURE
2	1	1	404098	VALVE - EXPANSION
3	1	1	360208	TEE
4	1.67	1.67	300515	HOSE - DRAIN (2)3 5" (2)8 5"
5	1	1	222453	ASSEMBLY - WIRE
6	1	1	404075	SWITCH - THERMOSTAT
7	2	2	360312	ELBOW
8	1.0	1.0	010293	TAPE - SEAL
9	2	2	300442	#8 - O-RING
10	2	2	290227	CLAMP - CORBIN
11	1	1	355028	SHIM - MOTOR
12	1	1	275202	MOTOR - 24 V.
	1	1	275102	MOTOR - 12 V.
13	2	2	260680	WHEEL - BLOWER
14	1	1	515591	WRAP - FRONT
15	4	4	360448	LOUVER - 2.5" BALL
16	2	2	380032	KNOB
17	1	1	341714	DECAL
18	1	1	220268	SWITCH - FAN 24 V.
	1	1	220300	SWITCH - FAN 12 V.
19	1	1	222601	HARNES - WIRE
20	1	1	360664	WRAP - CASE
21	1.0	1.0	354839	FOAM
22	1	1	290249	CLAMP
23	1	1	515592	BRACKET - SUPPORT
24	1	1	400156	COIL - EVAPORATOR
25	1	1	342487	DECAL - WIRING
26	1.25	1.25	355077	FOAM
27	1.0	1.0	309000	RUBBER - CHANNEL
28	2	2	203819	NUT - SWITCH

THIS DRAWING REFERS TO KYSOR PACKAGE 938113 & 938118

ITEM	QTY.	PART NUMBER	DESCRIPTION
PARTS LIST			

METRIC

THIRD ANGLE PROJECTION

SCALE: (MILLIMETER)

DO NOT SCALE DRAWING

BRANCH: _____ DATE: _____

ENGINEER: _____ DATE: _____

DRAWN: _____ DATE: _____

KYSOR Westran

1000 BROADWAY • BIRMINGHAM, AL 35203 • 205/981-1100

TITLE: **SERVICE DRAWING**

EBERSPACHER EVAPORATOR

SIZE: _____ DRAWING NO: **174810**

D 24234

