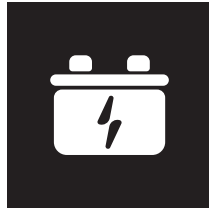




SIMPLE, FLEXIBLE

Can be mounted to a variety of different cab designs.



UTILIZES EXISTING VEHICLE BATTERIES

Possibility to add Bergstrom Solar Energy System and extra batteries for increased AC run time.



www.bergstrominc.com



World Headquarters

Rockford, U.S.A.

+ 1 - 815-874-7821

Europe

Wales, United Kingdom

+ 44 - 144-386-212

Madrid, Spain

+ 34 - 918-775-840

Asia-Pacific

Changzhou, Jiangsu, China

+ 86 - 519-511-7821

Mexico

Monterrey, Mexico

+ 52 - 819-690-2369

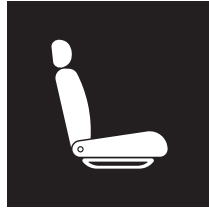
Leon, Mexico

+ 1 - 815-985-4024



INTEGRATES INTO EXISTING VEHICLE HVAC SYSTEM

Compact size allows multiple installation positions.



OUTER INSTALLATION

In various locations of the bulkhead of the vehicles.



BEFST-ECPE-28R1-EN-B

eCOOLPARK™ ECLIPSE

No-Idle HVAC System

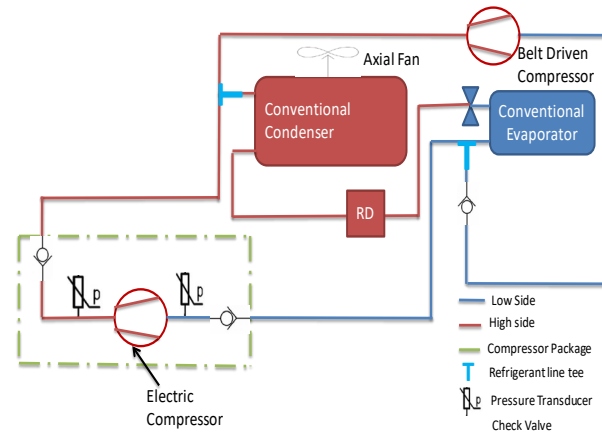


The most innovative e-climate system for any vehicle, any environment.

The eCoolPark ECLIPSE is a 24V balanced power no-idle HVAC solution for demanding duty cycle.

Main advantages:

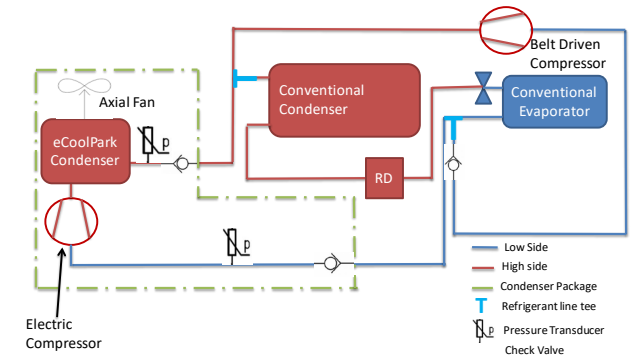
- Reduced fuel consumption.
- Lowers engine maintenance costs.
- Improved occupant safety.
- Provides operator comfort.
- Complies with all federal, state and local idle and noise restrictions.
- Supports environmental sustainability efforts through reduction of vehicle emissions.
- Designed, engineered and manufactured in the U.S.



TECHNICAL SPECIFICATIONS	
Voltage	24V
Cooling Capacity	3,300 Watts 11,250 BTU/hr
Power Consumption	830 watts

* Capacity and power at 110°F (43,3°C) ambient at peak

WEIGHT & DIMENSIONS	
Weight	15,9 kg 35 lb
Dimensions (L x W x H)	260 x 175 x 382 mm 10.2 x 6.9 x 15 in



TECHNICAL SPECIFICATIONS	
Voltage	24V
Cooling Capacity	3,300 Watts 11,250 BTU/hr
Power Consumption	970 watts

* Capacity and power at 110°F (43,3°C) ambient at peak

WEIGHT & DIMENSIONS	
Weight	24,9 kg 55 lb
Dimensions (L x W x H)	525 x 310 x 340 mm 20.7 x 12.2 x 13.4 in